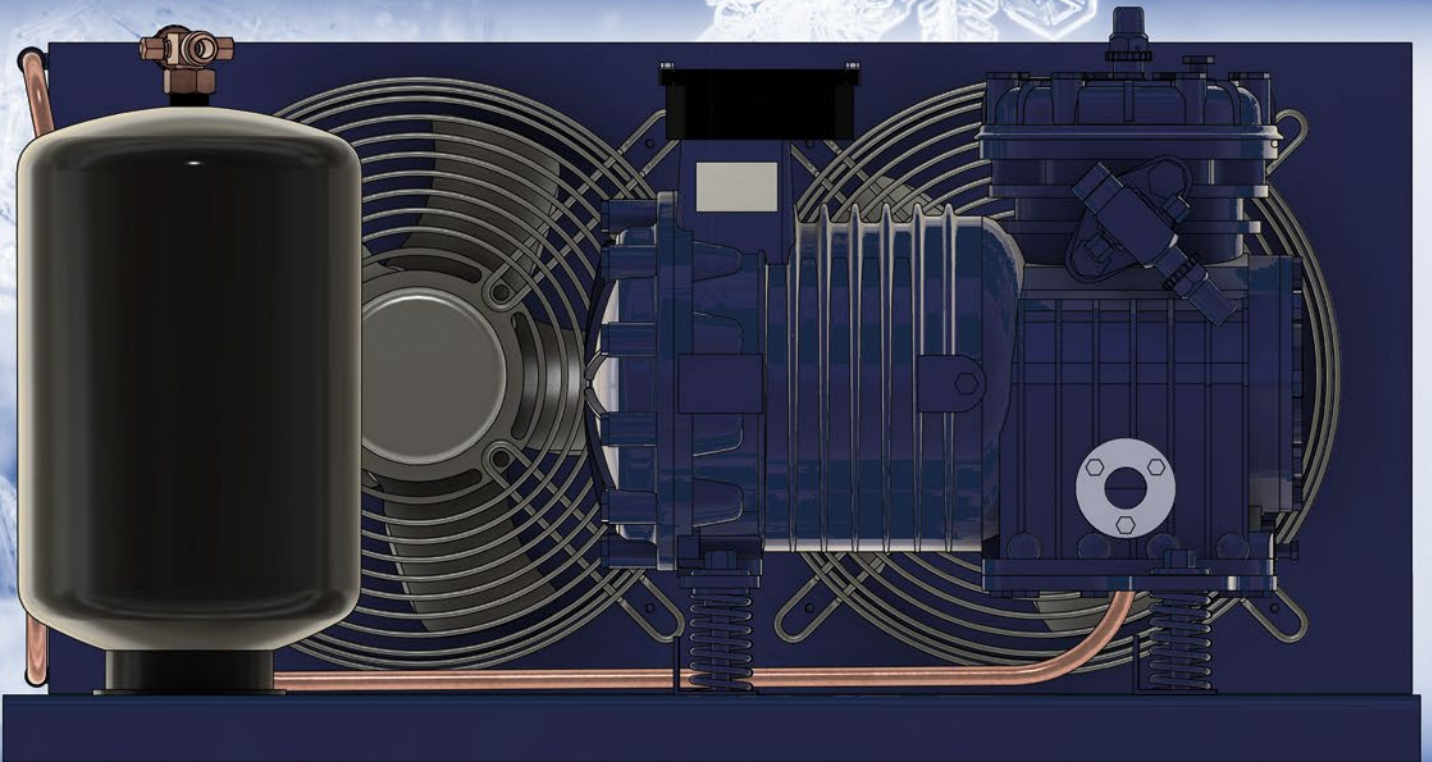


GEL[®]
GELPHA

Gelphametic



CATÁLOGO TARIFA
CATALOGUE

2024

ABRIL
APRIL

CONTENIDO

COMPRESORES SEMIHERMÉTICOS

| | |
|---|---|
| MEDIA-ALTA TEMPERATURA R-134a / R513A / R450A | 4 |
| MEDIA-BAJA TEMPERATURA R-404A / R-407A-C / R-448A / R449A | 5 |
| MEDIA-BAJA TEMPERATURA R-404A / R-507A / R-448A | 6 |
| 4 CILINDROS MEDIA-BAJA TEMPERATURA R-404A / R-407A-C / R-448A / R449A | 7 |

UNIDADES CONDENSADORAS AIRE HELICOIDALES

| | |
|---|----|
| MEDIA-BAJA TEMPERATURA R-404A / R-407A-C / R-448A / R449A | 9 |
| MEDIA-ALTA TEMPERATURA R-134a / R513A / R450A | 10 |
| (VLR, VR) R-134a / R-404A / R-407A-C / R-448A / R449A | 11 |
| KITS U.CONDENSADORA + EVAPORADOR | 12 |
| CUADROS ELÉCTRICOS PARA KITS | 13 |
| UNIDADES CONDENSADORAS VERSIÓN CARROZADA INBOX | 14 |
| CUADROS ELÉCTRICOS PARA UNIDADES CONDENSADORAS INBOX | 15 |

UNIDADES CONDENSADORAS AGUA

| | |
|---|----|
| (K, L, LR, MR, GR) R-134a / R513A / R450A | 17 |
| (K, L, LR, MR, GR) R-404A / R-407A-C / R-448A / R449A | 18 |
| (VLR, VR) R-134a - R-404A / R-407A-C / R-448A / R449A | 19 |

UNIDADES CONDENSADORAS AIRE CENTRIFUGAS

| | |
|--|----|
| (K, L, LR, MR, GR) R-134a - R-404A / R-407A-C / R-448A / R449A | 21 |
| (VLR, VR) R-134a - R-404A / R-407A-C / R-448A / R449A | 22 |

UNIDADES DE COMPRESION (SOBRE RECIPIENTE)

| | |
|---|----|
| (K, L, LR, MR, GR) R-134a / R513A / R450A | 24 |
| (K, L, LR, MR, GR) R-404A / R-407A-C / R-448A / R449A | 25 |
| (VLR, VR) R-134a - R-404A / R-407A-C / R-448A / R449A | 26 |

COMPONENTES FRIGORÍFICOS

| | |
|--|----|
| Y ACCESORIOS | 27 |
| CONDENSADORES HELICOIDALES Y CONDENSADORES CENTRÍFUGOS | 28 |
| EVAPORADORES CÚBICOS Y CÚBICOS INDUSTRIALES | 29 |
| PROTECTORES DE MOTOR Y OTROS DISPOSITIVOS | 30 |
| VARIADORES DE FRECUENCIA, SONDAS, MICROPROCESADORES Y DETECTORES DE REFRIGERANTE | 31 |
| VENTILADORES Y ACEITES | 32 |
| RECIPIENTES DE LÍQUIDO Y CONDENSADORES MULTITUBULARES | 33 |
| EXTRAS Y ACCESORIOS | 34 |
| ACLARACIONES Y CONDICIONES GENERALES DE VENTA | 35 |

CONTENTS

SEMI-HERMETIC COMPRESSORS

| | |
|---|---|
| MEDIUM-HIGH TEMPERATURE R-134a / R513A / R450A | 4 |
| MEDIUM-LOW TEMPERATURE R-404A / R-407A-C / R-448A / R449A | 5 |
| MEDIUM-LOW TEMPERATURE R-404A / R-407A-C / R-448A / R449A | 6 |
| (VLR, VR) R-134A / R-404A / R-407A-C / R-448A / R449A | 7 |

HELICOIDAL AIR COOLED CONDENSING UNITS

| | |
|---|----|
| MEDIUM-LOW TEMPERATURE R-404A / R-407A-C / R-448A / R449A | 9 |
| MEDIUM-HIGH TEMPERATURE R-134a / R513A / R450A | 10 |
| (VLR, VR) R-134a / R-404A / R-407A-C / R-448A / R449A | 11 |
| KITS CONDENSING UNIT + EVAPORATOR | 12 |
| ELECTRIC PANEL BOXES FOR KITS | 13 |
| CONDENSING UNITS INBOX | 14 |
| ELECTRIC PANEL BOXES FOR INBOX CONDENSING UNITS | 15 |

WATER COOLED CONDENSING UNITS

| | |
|---|----|
| (K, L, LR, MR, GR) R-134a / R513A / R450A | 17 |
| (K, L, LR, MR, GR) R-404A / R-407A-C / R-448A / R449A | 18 |
| (VLR, VR) R-134a - R-404A / R-407A-C / R-448A / R449A | 19 |

CENTRIFUGAL AIR COOLED CONDENSING UNITS

| | |
|--|----|
| (K, L, LR, MR, GR) R-134a - R-404A / R-407A-C / R-448A / R449A | 21 |
| (VLR, VR) R-134a - R-404A / R-407A-C / R-448A / R449A | 22 |

COMPRESSOR UNITS (COMPRESSOR ON RECEIVER)

| | |
|---|----|
| (K, L, LR, MR, GR) R-134a / R513A / R450A | 24 |
| (K, L, LR, MR, GR) R-404A / R-407A-C / R-448A / R449A | 25 |
| (VLR, VR) R-134a - R-404A / R-407A-C / R-448A / R449A | 26 |

REFRIGERATION COMPONENTS AND ACCESSORIES

| | |
|--|----|
| AXIAL AND CENTRIFUGAL CONDENSERS | 28 |
| CUBIC AND INDUSTRIAL EVAPORATORS-COOLERS | 29 |
| MOTOR PROTECTOR MODULES AND OTHER DEVICES | 30 |
| FREQUENCY CONVERTERS, PTC, MICROPROCESSORS AND REFRIGERANT DETECTORS | 31 |
| MOTOR FANS AND OILS | 32 |
| LIQUID RECEIVERES AND WATER HEAT EXCHANGERS | 33 |
| EXTRAS AND ACCESSORIES | 34 |
| SALES CONDITIONS | 35 |



COMPRESORES SEMIHERMÉTICOS SEMIHERMETIC COMPRESSORS

WATT (50 Hz)
R-134a/ R-513A / R-450A

Condiciones de Cálculo: Gas de aspiración 25°C, sin subenfriamiento de líquido.
Rating conditions: Suction return gas 25°C, without liquid subcooling.

| | CÓDIGO CODE | MODELO MODEL | PVP RRP € | MOTOR MOTOR H.P. | DESPLAZ. DISPLAC. m³/h | LINEA ASP. SUCTION LINE Ø | LINEA COMPR. DISC. LINE Ø | Rendimientos T° Cond. +40°C | | | |
|----------------------|-------------|--------------|-----------|------------------|------------------------|---------------------------|---------------------------|-----------------------------|-------|-------|-------|
| | | | | | | | | 5°C | 0°C | -5°C | -10°C |
| COMP. REFR. POR AIRE | 501.0011.02 | 07K5.2X | 1.776 | 0,75 | 4,92 | 5/8" | 3/8" | 2930 | 2390 | 1925 | 1525 |
| | 501.0016.02 | 1K7.2X | 1.816 | 1 | 6,43 | 5/8" | 1/2" | 3875 | 3165 | 2550 | 2025 |
| | 501.0021.02 | 1,5K8.2X | 1.871 | 1.5 | 7,43 | 5/8" | 1/2" | 4365 | 3575 | 2890 | 2310 |
| | 501.0022.02 | 1,5K9.2X | 1.871 | 1.5 | 9,06 | 5/8" | 1/2" | 5365 | 4390 | 3555 | 2845 |
| | 501.0026.02 | 2K9.2X | 1.992 | 2 | 9,06 | 5/8" | 1/2" | 5420 | 4435 | 3590 | 2870 |
| | 501.0031.02 | 2L13.2X | 2.705 | 2 | 12,87 | 7/8" | 1/2" | 7680 | 6255 | 5040 | 4010 |
| | 501.0036.02 | 3L19.2X | 2.784 | 3 | 19,43 | 1 1/8" | 5/8" | 12070 | 9855 | 7955 | 6330 |
| 501.0057.02 | 4L23.2X | 2.943 | 4 | 22,52 | 1 1/8" | 5/8" | 14220 | 11680 | 9500 | 7635 | |
| COMP. REFR. GAS ASP. | 501.0067.02 | 4LR23.2X | 3.615 | 4 | 22,52 | 1 1/8" | 5/8" | 14085 | 11570 | 9310 | 7485 |
| | 501.0085.02 | 6MR27.2X | 5.062 | 5 | 26,65 | 1 3/8" | 7/8" | 16725 | 13510 | 10745 | 8400 |
| | 501.0102.02 | 7MR32.2X | 4.792 | 7.5 | 32,00 | 1 3/8" | 1 1/8" | 20285 | 16555 | 13335 | 10630 |
| | 501.0090.02 | 6GR31.3X | 5.043 | 5 | 31,08 | 1 3/8" | 7/8" | 18860 | 15270 | 12195 | 9585 |
| | 501.0106.02 | 8GR39.3X | 5.141 | 7.5 | 39,02 | 1 3/8" | 1 1/8" | 24280 | 19740 | 15840 | 12540 |
| | 501.0116.02 | 10GR50.3X | 5.223 | 10 | 49,88 | 1 3/8" | 1 1/8" | 30370 | 24685 | 19815 | 15675 |
| | 501.0120.02 | 12GR60.3X | 5.761 | 12.5 | 60,28 | 1 3/8" | 1 1/8" | 38775 | 31825 | 25855 | 20795 |

COMPRESORES 4 CILINDROS EN V
4 CYLINDERS IN V COMPRESSORS

| CÓDIGO CODE | MODELO MODEL | PVP RRP € | MOTOR MOTOR H.P. | DESPLAZ. DISPLAC. m³/h | LINEA ASP. SUCTION LINE Ø | LINEA COMPR. DISC. LINE Ø | Rendimientos T° Cond. +40°C | | | |
|-------------|--------------|-----------|------------------|------------------------|---------------------------|---------------------------|-----------------------------|-------|-------|-------|
| | | | | | | | 5°C | 0°C | -5°C | -10°C |
| 501.0082.02 | 5VLR26.4X | 4.002 | 5 | 25,70 | 1 1/8" | 7/8" | 16106 | 13010 | 10347 | 8089 |
| 501.0082.12 | 5VLR29.4X | 4.002 | 5 | 29,00 | 1 1/8" | 7/8" | 18063 | 14591 | 11605 | 9072 |
| 501.0098.22 | 7VLR33.4X | 4.404 | 7,5 | 33,00 | 1 1/8" | 7/8" | 20894 | 17052 | 13735 | 10949 |
| 501.0098.32 | 7VLR38.4X | 4.404 | 7,5 | 38,20 | 1 3/8" | 7/8" | 23794 | 19345 | 15523 | 12289 |
| 501.0125.22 | 15VR73.4X | 7.855 | 15 | 70,68 | 1 5/8" | 1 1/8" | 45612 | 36847 | 29120 | 22524 |
| 501.0140.02 | 20VR83.4X | 7.844 | 20 | 80,36 | 2 1/8" | 1 1/8" | 51893 | 41813 | 33040 | 25573 |
| 501.0150.02 | 25VR93.4X | 7.936 | 25 | 90,40 | 2 1/8" | 1 3/8" | 58685 | 47352 | 37424 | 28991 |
| 501.0145.12 | 30VR118.4X | 8.166 | 30 | 118,00 | 2 1/8" | 1 3/8" | 76254 | 64465 | 48668 | 37655 |

Todos los compresores son suministrados con protección eléctrica*, amortiguadores, llaves de servicio y carga de aceite correspondiente.

*Protección eléctrica: compuesta por tres sondas termostáticas, integradas en el bobinado del motor. Los modelos VR incluyen sensores de temperatura y protector Kriwan INT69 Diagnose con posibilidad de conexión y descarga de datos via micro USB (cable opcional). Suministro estándar 230/400 V. Trifásica 50 Hz 1450 r.p.m.. Otros voltajes y frecuencias disponibles bajo demanda. Soliciten precio Recomendamos presostato diferencial de aceite para los modelos LR-MR-VLR-GR-VR, consulte precio y otras opciones en la pág.33

All compressors supplied with electrical protection, dampers, service valves and corresponding oil charge.

*Electrical protection inside winding. VR models include temperature sensors and protection Kriwan INT69 Diagnose with data downloading via micro USB

Standard voltage 230/400V 3phase 50Hz 1450 rpm. Other voltages and frequencies available under request. Ask for price.

We recommend oil differential pressure device for LR-MR-VLR-GR-VR models, check price and other options on page 33.



Modelo K



Modelo L

WATT (50 Hz)

R404A / R-407A / R-407C / R-448A / R-449A
A2L R454C / R455A HFO R1234yf / R1234ze

Condiciones de Cálculo: Gas de aspiración 25°C, sin subenfriamiento de líquido.

Rating conditions: Suction return gas 25°C, without liquid subcooling.

R448A - Necesario ventilador de culata para BT - Motor fan needed for LT

| | CÓDIGO CODE | MODELO MODEL | PVP RRP € | MOTOR MOTOR H.P. | DESPLAZ. DISPLAC. m³/h | ASP. SUCTION Ø | DESC. DISH. Ø | Rendimientos T° Cond. +40°C | | | | |
|-----------------------------------|----------------|-----------------|-----------------|------------------------|------------------------------|----------------------|---------------------|-----------------------------|-------|-------|-------|-------|
| | | | | | | | | GAS | -5°C | -10°C | -25°C | -35°C |
| COMPRESORES REFRIGERADOS POR AIRE | 501.0010.02 | 07K3.2X | 1.776 | 0,75 | 2,91 | 1/2" | 3/8" | R-404A | 1865 | 1525 | 766 | 420 |
| | | | | | | | | R-448A | 1811 | 1452 | 678 | 336 |
| | 501.0011.02 | 07K5.2X | 1.776 | 0,75 | 4,92 | 5/8" | 3/8" | R-404A | | | 1350 | 775 |
| | | | | | | | | R-448A | | | 1195 | 620 |
| | 501.0015.02 | 1K5.2X | 1.816 | 1 | 4,92 | 5/8" | 1/2" | R-404A | 3225 | 2645 | 1350 | 765 |
| | | | | | | | | R-448A | 3131 | 2519 | 1195 | 612 |
| | 501.0016.02 | 1K7.2X | 1.816 | 1 | 6,43 | 5/8" | 1/2" | R-404A | | | 1850 | 1075 |
| | | | | | | | | R-448A | | | 1637 | 860 |
| | 501.0020.02 | 1,5K7.2X | 1.871 | 1,5 | 6,43 | 5/8" | 1/2" | R-404A | 4330 | 3565 | 1850 | 1085 |
| | | | | | | | | R-448A | 4204 | 3395 | 1637 | 868 |
| | 501.0021.02 | 1,5K8.2X | 1.871 | 1,5 | 7,43 | 5/8" | 1/2" | R-404A | | | 2130 | 1260 |
| | | | | | | | | R-448A | | | 1885 | 1008 |
| | 501.0022.02 | 1,5K9.2X | 1.871 | 1,5 | 9,06 | 5/8" | 1/2" | R-404A | | | 2650 | 1570 |
| | | | | | | | | R-448A | | | 2345 | 1256 |
| | 501.0025.02 | 2K8.2X | 1.992 | 2 | 7,43 | 5/8" | 1/2" | R-404A | 4813 | 3940 | 1970 | 1078 |
| | | | | | | | | R-448A | 4673 | 3752 | 1743 | 862 |
| | 501.0026.02 | 2K9.2X | 1.992 | 2 | 9,06 | 5/8" | 1/2" | R-404A | 6190 | 5095 | 2595 | 1535 |
| | | | | | | | | R-448A | 6010 | 4852 | 2296 | 1228 |
| | 501.0030.02 | 2L9.2X | 2.756 | 2 | 9,06 | 7/8" | 1/2" | R-404A | 6125 | 4990 | 2365 | 1130 |
| | | | | | | | | R-448A | 5947 | 4752 | 2093 | 904 |
| 501.0031.02 | 2L13.2X | 2.705 | 2 | 12,87 | 7/8" | 1/2" | R-404A | | | 3560 | 1775 | |
| | | | | | | | R-448A | | | 3150 | 1420 | |
| 501.0035.02 | 3L13.2X | 2.784 | 3 | 12,87 | 7/8" | 5/8" | R-404A | 9005 | 7355 | 3360 | 1765 | |
| | | | | | | | R-448A | 8743 | 7005 | 2973 | 1412 | |
| 501.0038.02 | 3L17.2X | 2.784 | 3 | 17,14 | 7/8" | 5/8" | R-404A | 11725 | 9610 | 5210 | 2790 | |
| | | | | | | | R-448A | 11383 | 9152 | 4611 | 2232 | |
| 501.0036.02 | 3L19.2X | 2.784 | 3 | 19,43 | 1 1/8" | 5/8" | R-404A | | | 6230 | 3555 | |
| | | | | | | | R-448A | | | 5513 | 2844 | |
| 501.0055.02 | 4L17.2X | 2.943 | 4 | 17,14 | 7/8" | 5/8" | R-404A | 12700 | 10445 | 5155 | 2770 | |
| | | | | | | | R-448A | 12330 | 9948 | 4562 | 2216 | |
| 501.0056.02 | 4L19.2X | 2.943 | 4 | 19,43 | 1 1/8" | 5/8" | R-404A | 14405 | 11830 | 5970 | 3330 | |
| | | | | | | | R-448A | 13985 | 11267 | 5283 | 2664 | |
| 501.0057.02 | 4L23.2X | 2.943 | 4 | 22,52 | 1 1/8" | 5/8" | R-404A | | | 7245 | 4260 | |
| | | | | | | | R-448A | | | 6412 | 3408 | |
| 501.0075.02 | 5L23.2X | 3.027 | 5 | 22,52 | 1 1/8" | 5/8" | R-404A | 16380 | 13355 | 6995 | 4030 | |
| | | | | | | | R-448A | 15903 | 12719 | 6190 | 3224 | |



Modelo LR



Modelo MR



Modelo GR

Modelos con bomba de aceite (los precios no incluyen presostato diferencial de aceite)

WATT (50 Hz)

R-404A / R-407A / R407C / R448A / R449A

Condiciones de Cálculo: Gas de aspiración 25°C, sin subenfriamiento de líquido.
Rating conditions: Suction return gas 25°C, without liquid subcooling.

R448A - Necesario ventilador de culata para BT - Motor fan needed for LT

| | CÓDIGO CODE | MODELO MODEL | PVP RRP € | MOTOR MOTOR H.P. | DESPLAZ. DISPLAC. m³/h | ASP. SUCTION Ø | DESC. DISH. Ø | Rendimientos T° Cond.+40°C | | | | |
|--|-------------|--------------|-----------|------------------|------------------------|----------------|---------------|----------------------------|-------|-------|-------|-------|
| | | | | | | | | GAS | -5°C | -10°C | -25°C | -35°C |
| | | | | | | | | | | | | |
| COMPRESORES REFRIGERADOS POR GAS ASPIRADO | 501.0067.02 | 4LR23.2X | 3.615 | 4 | 22,52 | 1 1/8" | 5/8" | R-404A | | | 7120 | 4165 |
| | | | | | | | | R-448A | | | 6301 | 3332 |
| | 501.0081.02 | 5LR23.2X | 3.621 | 5 | 22,52 | 1 1/8" | 5/8" | R-404A | 16065 | 13095 | 6870 | 3915 |
| | | | | | | | | R-448A | 15597 | 12471 | 6080 | 3132 |
| | 501.0085.02 | 6MR27.2X | 5.062 | 5 | 26,65 | 1 3/8" | 7/8" | R-404A | | 15325 | 7880 | 4555 |
| | | | | | | | | R-448A | | 14595 | 6973 | 3644 |
| | 501.0100.02 | 7MR27.2X | 4.792 | 7,5 | 26,65 | 1 3/8" | 1 1/8" | R-404A | 18650 | 15240 | 7590 | 4175 |
| | | | | | | | | R-448A | 18107 | 14514 | 6717 | 3340 |
| | 501.0102.02 | 7MR32.2X | 4.792 | 7,5 | 32,00 | 1 3/8" | 1 1/8" | R-404A | | 14480 | 8980 | 4960 |
| | | | | | | | | R-448A | | 13790 | 7947 | 3968 |
| | 501.0110.02 | 9MR32.2X | 4.889 | 10 | 32,00 | 1 3/8" | 1 1/8" | R-404A | 21970 | 17965 | 8950 | 4950 |
| | | | | | | | | R-448A | 21330 | 17110 | 7920 | 3960 |
| | 501.0090.02 | 6GR31.3X | 5.043 | 5 | 31,08 | 1 3/8" | 7/8" | R-404A | | | 8760 | 5025 |
| | | | | | | | | 0 | | | 7752 | 4020 |
| | 501.0105.02 | 8GR31.3X | 5.141 | 7,5 | 31,08 | 1 3/8" | 1 1/8" | R-404A | 21675 | 17700 | 8600 | 4770 |
| | | | | | | | | R-448A | 21044 | 16857 | 7611 | 3816 |
| | 501.0106.02 | 8GR39.3X | 5.141 | 7,5 | 39,02 | 1 3/8" | 1 1/8" | R-404A | | | 11385 | 6490 |
| | | | | | | | | R-448A | | | 10075 | 5192 |
| | 501.0115.02 | 10GR39.3X | 5.223 | 10 | 39,02 | 1 3/8" | 1 1/8" | R-404A | 27235 | 22355 | 11080 | 6470 |
| | | | | | | | | R-448A | 26442 | 21290 | 9805 | 5176 |
| 501.0116.02 | 10GR50.3X | 5.223 | 10 | 49,88 | 1 3/8" | 1 1/8" | R-404A | | | 14860 | 8930 | |
| | | | | | | | R-448A | | | 13150 | 7144 | |
| 501.0125.02 | 15GR50.3X | 5.572 | 15 | 49,88 | 1 5/8" | 1 1/8" | R-404A | 34765 | 28630 | 14735 | 8695 | |
| | | | | | | | R-448A | 33752 | 27267 | 13040 | 6956 | |
| 501.0120.02 | 12GR60.3X | 5.761 | 12,5 | 60,28 | 1 3/8" | 1 1/8" | R-404A | | | 18175 | 10795 | |
| | | | | | | | R-448A | | | 16084 | 8636 | |
| 501.0130.02 | 18GR60.3X | 6.277 | 18 | 60,28 | 1 5/8" | 1 1/8" | R-404A | 42255 | 34835 | 17810 | 10705 | |
| | | | | | | | | 41024 | 33176 | 15761 | 8564 | |



Modelo VLR



Modelo VR

*Modelos con
bomba de aceite
(los precios no
incluyen prestato
diferencial de
aceite)*

WATT (50 Hz) - R-404A / R-407A / R-407C / R-448A / R-449A

**COMPRESORES 4 CILINDROS EN V
4 CYLINDERS IN V COMPRESSORS**

Condiciones de Cálculo: Gas de aspiración 25°C, sin subenfriamiento de líquido.
Rating conditions: Suction return gas 25°C, without liquid subcooling.
R448A - Necesario ventilador de culata para BT - Motor fan needed for LT

| | CÓDIGO CODE | MODELO MODEL | PVP RRP € | MOTOR MOTOR H.P. | DESPLAZ. DISPLAC. m³/h | ASP. SUCTION Ø | DESC. DISH. Ø | Rendimientos T° Cond.+40°C | | | | |
|--|----------------|-----------------|-----------------|------------------------|------------------------------|----------------------|---------------------|----------------------------|-------|-------|-------|-------|
| | | | | | | | | GAS | -5°C | -10°C | -25°C | -35°C |
| | | | | | | | | | | | | |
| COMPRESORES REFRIG. POR GAS DE ASPIRACIÓN | 501.0082.02 | 5VLR26.4X | 4.002 | 5 | 25,7 | 1 1/8" | 7/8" | R-404A | | 14944 | 7840 | 4468 |
| | | | | | | | | R-448A | | 14232 | 6938 | 3574 |
| | 501.0098.02 | 7VLR26.4X | 4.404 | 7,5 | 25,7 | 1 1/8" | 7/8" | R-404A | 18333 | 15010 | 7832 | 4359 |
| | | | | | | | | R-448A | 17799 | 14295 | 6931 | 3487 |
| | 501.0082.12 | 5VLR29.4X | 4.002 | 5 | 29 | 1 1/8" | 7/8" | R-404A | | 16700 | 8630 | 4950 |
| | | | | | | | | R-448A | | 15905 | 7637 | 3960 |
| | 501.0098.12 | 7VLR29.4X | 4.404 | 7,5 | 29 | 1 1/8" | 7/8" | R-404A | 20050 | 16786 | 8500 | 4900 |
| | | | | | | | | R-448A | 19466 | 15987 | 7522 | 3920 |
| | 501.0098.22 | 7VLR33.4X | 4.404 | 7,5 | 33 | 1 1/8" | 7/8" | R-404A | 21470 | 17820 | 9300 | 5380 |
| | | | | | | | | R-448A | 20845 | 16971 | 8230 | 4304 |
| | 501.0112.02 | 10VLR33.4X | 4.677 | 10 | 33 | 1 1/8" | 7/8" | R-404A | 21610 | 17930 | 9250 | 5300 |
| | | | | | | | | R-448A | 20981 | 17076 | 8186 | 4240 |
| | 501.0098.32 | 7VLR38.4X | 4.404 | 7,5 | 38,2 | 1 3/8" | 7/8" | R-404A | | 20650 | 10770 | 6250 |
| | | | | | | | | R-448A | | 19667 | 9531 | 5000 |
| | 501.0112.12 | 10VLR38.4X | 4.677 | 10 | 38,2 | 1 3/8" | 7/8" | R-404A | 24850 | 20765 | 10745 | 6160 |
| | | | | | | | | R-448A | 24126 | 19776 | 9509 | 4928 |
| | 501.0125.22 | 15VR73.4X | 7.855 | 15 | 70,68 | 1 5/8" | 1 1/8" | R-404A | | | 19790 | 11850 |
| | | | | | | | | R-448A | | | 17513 | 9480 |
| | 501.0135.02 | 25VR73.4X | 7.895 | 25 | 70,68 | 2 1/8" | 1 1/8" | R-404A | 49099 | 39391 | 18659 | 10932 |
| | | | | | | | | R-448A | 47669 | 37515 | 16512 | 8746 |
| 501.0140.02 | 20VR83.4X | 7.844 | 20 | 80,36 | 2 1/8" | 1 1/8" | R-404A | | | 22399 | 13627 | |
| | | | | | | | R-448A | | | 19822 | 10902 | |
| 501.0145.02 | 30VR83.4X | 8.005 | 30 | 80,36 | 2 1/8" | 1 1/8" | R-404A | 55813 | 44706 | 21187 | 13377 | |
| | | | | | | | R-448A | 54187 | 42577 | 18750 | 10702 | |
| 501.0150.02 | 25VR93.4X | 7.936 | 25 | 90,4 | 2 1/8" | 1 3/8" | R-404A | | | 25389 | 15110 | |
| | | | | | | | R-448A | | | 22468 | 12088 | |
| 501.0155.02 | 35VR93.4X | 8.476 | 35 | 90,4 | 2 1/8" | 1 3/8" | R-404A | 62726 | 50339 | 23807 | 14908 | |
| | | | | | | | R-448A | 60899 | 47942 | 21068 | 11926 | |
| 501.0145.12 | 30VR118.4X | 8.166 | 30 | 118,00 | 2 1/8" | 1 3/8" | R-404A | | | 32935 | 20007 | |
| | | | | | | | R-448A | | | 29146 | 16006 | |
| 501.0160.02 | 40VR118.4X | 9.124 | 40 | 118,00 | 2 1/8" | 1 3/8" | R-404A | 82024 | 65765 | 31152 | 18355 | |
| | | | | | | | | 79634 | 62633 | 27568 | 14684 | |



UNIDADES CONDENSADORAS HELICOIDALES AIR COOLED CONDENSING UNITS

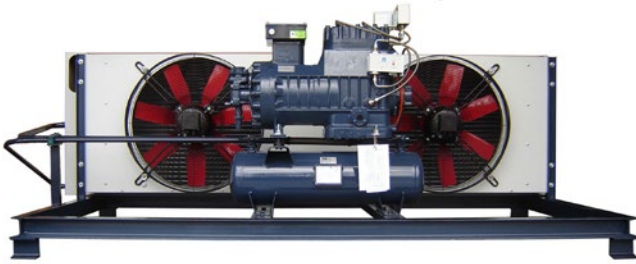
UNIDADES CONDENSADORAS AIRE HELICOIDALES HELICOIDAL AIR COOLED CONDENSING UNITS



ABRIL 2024
APRIL 2024

R404A/R449A/R407A/
R407F/407C

R448A



| | CÓDIGO CODE | MODELO MODEL | PVP € | PVC ACC. | VENTILADORES FANS | RECIPIENTE RECEIVER (100%) L. | Rendimientos T° ambiente +36°C | | | | |
|-------------------------------------|----------------|-----------------|----------|-------------|----------------------|-------------------------------------|--------------------------------|-------|-------|-------|------|
| | | | | | | | -5°C | -10°C | -25°C | -35°C | |
| COMPRESORES REFRIGERADOS POR AIRE | 700.0010.02 | F1-07K3.2X | 2.878 | 3.308 | 1 | 1 x Ø300 | 3,00 | 1703 | 1409 | 672 | 342 |
| | 700.0011.12 | F1-07K5.2X | 2.878 | 3.393 | 2 | 1 x Ø300 | 3,00 | | | 1146 | 579 |
| | 700.0015.02 | P2-1K5.2X | 3.420 | 3.842 | 1 | 2 x Ø300 | 3,00 | 2489 | 2048 | 1080 | 552 |
| | 700.0015.12 | G1-1K5.2X | 3.303 | 3.705 | 1 | 1 x Ø400 | 3,00 | 2941 | 2418 | 1019 | 518 |
| | 700.0016.02 | E2-1K7.2X | 3.218 | 3.709 | 2 | 2 x Ø300 | 3,00 | | | 1520 | 807 |
| | 700.0020.12 | P2-1,5K7.2X | 3.475 | 3.910 | 1 | 2 x Ø300 | 5,00 | 3867 | 3195 | 1382 | 768 |
| | 700.0020.02 | G1-1,5K7.2X | 3.353 | 3.817 | 1 | 1 x Ø400 | 5,00 | 3786 | 3076 | 1427 | 794 |
| | 700.0021.02 | P2-1,5K8.2X | 3.489 | 3.909 | 1 | 2 x Ø300 | 5,00 | 4258 | 3521 | 1670 | 885 |
| | 700.0022.02 | P2-1,5K9.2X | 3.489 | 3.984 | 2 | 2 x Ø300 | 5,00 | | | 2053 | 898 |
| | 700.0025.02 | J1-2K8.2X | 3.848 | 4.157 | 1 | 1 x Ø400 | 5,00 | 4466 | 3691 | 1760 | 930 |
| | 700.0026.02 | P2-2K9.2X | 3.502 | 3.935 | 1 | 2 x Ø300 | 5,00 | 0 | 4245 | 1931 | 840 |
| | 700.0030.12 | K2-2L9.2X | 4.794 | 5.153 | 1 | 2 x Ø350 | 5,00 | 5175 | 4173 | 1965 | 960 |
| | 700.0031.22 | K2-2L13.2X | 4.743 | 5.228 | 2 | 2 x Ø350 | 5,00 | | | 2832 | 1328 |
| | 700.0031.02 | J1-2L13.2X | 4.433 | 5.012 | 2 | 1 x Ø400 | 5,00 | | | 2823 | 1322 |
| | 700.0035.32 | L2-3L13.2X | 5.308 | 5.918 | 1 | 2 x Ø350 | 7,00 | 7177 | 6000 | 2805 | 1212 |
| | 700.0036.12 | H2-3L19.2X | 4.959 | 5.617 | 2 | 2 x Ø350 | 7,00 | | | 4907 | 2308 |
| | 700.0055.12 | Q2-4L17.2X | 5.922 | 6.431 | 1 | 2 x Ø400 | 11,00 | 10497 | 9098 | 4052 | 1916 |
| | 700.0056.32 | Q2-4L19.2X | 5.954 | 6.431 | 1 | 2 x Ø400 | 11,00 | 11894 | 9855 | 4827 | 2070 |
| 700.0057.12 | L2-4L23.2X | 5.414 | 6.099 | 2 | 2 x Ø350 | 11,00 | | | 5442 | 2642 | |
| 700.0075.32 | R2-5L23.2X | 6.806 | 7.445 | 1 | 2 x Ø450 | 11,00 | 13107 | 10667 | 5420 | 2640 | |
| COMPR. REFRIG POR GAS DE ASPIRACIÓN | 700.0081.22 | R2-5LR23.2X | 7.814 | 9.697 | 3 | 2 x Ø450 | 11,00 | 12913 | 10381 | 5177 | 2672 |
| | 700.0085.22 | L2-6MR27.2X | 7.357 | 10.141 | 4 | 2 x Ø350 | 15,00 | | | 6593 | 3520 |
| | 700.0100.02 | M2-7MR27.2X | 9.708 | 11.846 | 3 | 2 x Ø450 | 15,00 | 14720 | 12803 | 6593 | 3520 |
| | 700.0110.02 | K3-9MR32.2X | 12.103 | 14.288 | 5 | 3 x Ø450 | 30,00 | 19261 | 15928 | 7912 | 4224 |
| | 700.0090.22 | L2-6GR31.3X | 8.020 | 11.013 | 4 | 2 x Ø350 | 15,00 | | | 7513 | 4024 |
| | 700.0105.02 | M2-8GR31.3X | 9.954 | 11.764 | 3 | 2 x Ø450 | 15,00 | 17568 | 14771 | 7095 | 3933 |
| | 700.0105.12 | N2-8GR31.3X | 9.522 | 11.756 | 3 | 2 x Ø450 | 15,00 | 18627 | 15222 | 7058 | 3917 |
| | 700.0106.12 | R2-8GR39.3X | 9.414 | 12.372 | 4 | 2 x Ø450 | 15,00 | | | 9894 | 5504 |
| | 700.0115.02 | K3-10GR39.3X | 11.547 | 14.142 | 5 | 3 x Ø450 | 30,00 | 21495 | 18886 | 7741 | 4184 |
| | 700.0115.12 | M2-10GR39.3X | 10.143 | 12.695 | 5 | 2 x Ø450 | 30,00 | 20450 | 16737 | 8817 | 4844 |
| | 700.0116.12 | N2-10GR50.3X | 9.867 | 13.189 | 6 | 2 x Ø450 | 30,00 | | | 11177 | 5686 |
| | 700.0120.12 | M2-12GR60.3X | 10.945 | 14.411 | 6 | 2 x Ø450 | 30,00 | | | 12982 | 6520 |
| | 700.0125.02 | K3-15GR50.3X | 12.397 | 14.399 | 5 | 3 x Ø450 | 30,00 | 30897 | 25572 | 11174 | 5638 |
| | 700.0125.32 | X4-15GR50.3X | 13.119 | 15.659 | 5 | 4 x Ø450 | 30,00 | 30947 | 25607 | 11157 | 5630 |
| | 700.0130.32 | T4-18GR60.3X | 15.209 | 17.700 | 5 | 4 x Ø450 | 30,00 | 40067 | 32844 | 12908 | 6487 |
| 700.0130.02 | X4-18GR60.3X | 14.202 | 16.930 | 5 | 4 x Ø450 | 30,00 | 39983 | 32781 | 12935 | 6503 | |

- 1- Presostato A/B, filtro y visor.
- 2- Presostato A/B, filtro y visor, resistencia de cárter.
- 3- Presostato A/B, presostato A, filtro y visor, presostato dif. aceite, separador de aceite.
- 4- Presostato A/B, presostato A, filtro y visor, presostato dif. aceite, separador de aceite, separador líquido, resistencia de cárter.
- 5- Presostato A/B, presostato A, filtro y visor, presostato dif. aceite, separador de aceite, By Pass.
- 6- Presostato A/B, presostato A, filtro y visor, presostato dif. aceite, separador de aceite, separador líquido, resistencia de cárter, ByPass.
- 7- Presostato A/B, filtro y visor, presostato dif. aceite.
- 8- Presostato A/B, filtro y visor, presostato A, presostato dif. Aceite, separador de aceite, resistencia de cárter.

- 1- HP/LP dual switch, filter drier & sight glass.
- 2- HP/LP dual switch, filter drier & sight glass, crankcase heater.
- 3- HP/LP dual switch, HP switch, filter drier & sight glass, oil diff. pressure switch and oil separator.
- 4- HP/LP dual switch, HP switch, filter drier & sight glass, oil diff. pressure switch, oil separator, suction accumulator and crankcase heater.
- 5- HP/LP dual switch, HP switch, filter drier & sight glass, oil diff. pressure switch, oil separator and By Pass.
- 6- HP/LP dual switch, HP switch, filter drier & sight glass, oil diff. pressure switch, oil separator, suction accumulator, crankcase heater and ByPass.
- 7- HP/LP dual switch, HP switch, filter drier & sight glass and oil diff. pressure switch.
- 8- HP/LP dual switch, HP switch, filter drier & sight glass, oil diff. pressure switch and crankcase heater.

UNIDADES CONDENSADORAS AIRE HELICOIDALES HELICOIDAL AIR COOLED CONDENSING UNITS



R134a / R513A / R450A

| | CÓDIGO CODE | MODELO MODEL | PVP € | PVC ACC. | VENTILADORES FANS | RECIPIENTE RECEIVER (100%) L. | Rendimientos T° ambiente +36°C | | | | |
|---------------------------------|----------------|-----------------|----------|-------------|----------------------|-------------------------------------|--------------------------------|-------|-------|-------|-------|
| | | | | | | | 5°C | 0°C | -5°C | -10°C | |
| COMP REFR POR AIRE | 700.0011.02 | F1-07K5.2X | 2.878 | 3.314 | 1 | 1 x Ø300 | 3,00 | 1995 | 1680 | 1380 | 1160 |
| | 700.0016.02 | E2-1K7.2X | 3.218 | 3.640 | 1 | 2 x Ø300 | 3,00 | 3200 | 2700 | 2240 | 1835 |
| | 700.0022.02 | P2-1,5K9.2X | 3.489 | 3.910 | 1 | 2 x Ø300 | 5,00 | 4750 | 3975 | 3280 | 2575 |
| | 700.0023.01 | E2-1,5K9.2X | 3.266 | 3.669 | 1 | 2 x Ø300 | 5,00 | | | 3230 | 2535 |
| | 700.0031.02 | J1-2L13.2X | 4.433 | 4.938 | 1 | 1 x Ø400 | 5,00 | 6380 | 5410 | 4500 | 3620 |
| | 700.0031.22 | K2 -2L13.2X | 4.743 | 5.154 | 1 | 2 x Ø350 | 5,00 | 6110 | 5200 | 4280 | 3475 |
| | 700.0037.21 | L2 -3L19.2X | 5.323 | 5.919 | 1 | 2 x Ø350 | 7,00 | 9197 | 7803 | 6170 | 5188 |
| | 700.0037.01 | J1-3L19.2X | 4.630 | 5.125 | 1 | 1 x Ø400 | 7,00 | | | 6700 | 5430 |
| | 700.0058.21 | Q2-4L23.2X | 5.879 | 6.432 | 1 | 2 x Ø400 | 11,00 | 11410 | 9620 | 8005 | 6350 |
| 700.0057.12 | L2 -4L23.2X | 5.414 | 6.025 | 1 | 2 x Ø350 | 11,00 | | | 8000 | 6300 | |
| COMPR. REFRIG GAS DE ASPIRACIÓN | 700.0067.21 | Q2-4LR23.2X | 6.443 | 7.493 | 7 | 2 x Ø400 | 11,00 | 11420 | 9650 | 8010 | 6312 |
| | 700.0067.31 | L2 -4LR23.2X | 5.943 | 6.891 | 7 | 2 x Ø350 | 11,00 | | | 7890 | 6292 |
| | 700.0086.21 | R2-6MR27.2X | 8.574 | 9.155 | 3 | 2 x Ø450 | 15,00 | 14110 | 11850 | 9902 | 7938 |
| | 700.0086.31 | Q2-6MR27.2X | 7.098 | 8.919 | 3 | 2 x Ø400 | 15,00 | | | 9750 | 7950 |
| | 700.0102.21 | R2-7MR32.2X | 9.202 | 11.261 | 3 | 2 x Ø450 | 15,00 | 16832 | 14082 | 11593 | 9420 |
| | 700.0102.31 | Q2-7MR32.2X | 9.066 | 11.128 | 3 | 2 x Ø400 | 15,00 | | | 11480 | 9315 |
| | 700.0091.21 | R2-6GR31.3X | 9.392 | 11.373 | 3 | 2 x Ø450 | 15,00 | 16184 | 13540 | 11147 | 9058 |
| | 700.0090.22 | L2 -6GR31.3X | 8.020 | 10.074 | 3 | 2 x Ø350 | 15,00 | | | 10870 | 8970 |
| | 700.0107.01 | N2-8GR39.3X | 9.441 | 11.958 | 3 | 2 x Ø450 | 30,00 | 19040 | 16300 | 13800 | 11450 |
| | 700.0107.21 | Q2-8GR39.3X | 8.482 | 10.573 | 3 | 2 x Ø400 | 15,00 | | | 13525 | 11230 |
| | 700.0117.01 | M2-10GR50.3X | 10.271 | 12.709 | 5 | 2 x Ø450 | 30,00 | 23950 | 20550 | 17350 | 14400 |
| | 700.0116.12 | N2-10GR50.3X | 9.867 | 12.251 | 5 | 2 x Ø450 | 30,00 | | | 17265 | 14325 |
| | 700.0120.01 | K3 -12GR60.3X | 12.442 | 14.827 | 5 | 3 x Ø450 | 30,00 | 31700 | 27180 | 22980 | 19140 |
| | 700.0120.12 | M2-12GR60.3X | 10.945 | 13.471 | 5 | 2 x Ø450 | 30,00 | | | 22530 | 18760 |

ACCESORIOS:

- 1- Presostato A/B, filtro y visor.
- 2- Presostato A/B, filtro y visor, resistencia de cárter.
- 3- Presostato A/B, presostato A, filtro y visor, presostato dif. aceite, separador de aceite.
- 4- Presostato A/B, presostato A, filtro y visor, presostato dif. aceite, separador de aceite, separador líquido, resistencia de cárter.
- 5- Presostato A/B, presostato A, filtro y visor, presostato dif. aceite, separador de aceite, By Pass.
- 6- Presostato A/B, presostato A, filtro y visor, presostato dif. aceite, separador de aceite, separador líquido, resistencia de cárter, ByPass.
- 7- Presostato A/B, filtro y visor, presostato dif. aceite.
- 8- Presostato A/B, filtro y Visor, presostato A, presostato dif. Aceite, separador de aceite, resistencia de cárter.

- 2- HP/LP dual switch, filter drier & sight glass, crankcase heater.

- 3- HP/LP dual switch, HP switch, filter drier & sight glass, oil diff. pressure switch and oil separator.

- 4- HP/LP dual switch, HP switch, filter drier & sight glass, oil diff. pressure switch, oil separator, suction accumulator and crankcase heater.

- 5- HP/LP dual switch, HP switch, filter drier & sight glass, oil diff. pressure switch, oil separator and By Pass.

- 6- HP/LP dual switch, HP switch, filter drier & sight glass, oil diff. pressure switch, oil separator, suction accumulator, crankcase heater and ByPass.

- 7- HP/LP dual switch, HP switch, filter drier & sight glass and oil diff. pressure switch.

- 8- HP/LP dual switch, HP switch, filter drier & sight glass, oil diff, oil separator, pressure switch and crankcase heater.

ACCESSORIES :

- 1- HP/LP dual switch, filter drier & sight glass.

**UNIDADES CONDENSADORAS AIRE HELICOIDALES
CON COMPRESORES 4 CILINDROS EN V
HELICOIDAL AIR COOLED CONDENSING UNITS
WITH 4 CYLINDER COMPRESSORS V**



R-134a / R513A

| | CÓDIGO CODE | MODELO MODEL | PVP € | PVC ACC. | VENTILADORES FANS | RECIPIENTE RECEIVER (100%) L. | Rendimientos T° ambiente +36°C | | | | |
|---|----------------|-----------------|----------|-------------|----------------------|-------------------------------------|--------------------------------|-------|-------|-------|-------|
| | | | | | | | 5°C | 0°C | -5°C | -10°C | |
| COMPRESORES REFRIGERADOS POR GAS DE ASPIRACIÓN | 700.0082.01 | R2-5VLR26.4X | 8.163 | 9.713 | 3 | 2 x Ø450 | 11,00 | 14566 | 12186 | 10032 | 8152 |
| | 700.0082.11 | R2-5VLR29.4X | 8.163 | 9.713 | 3 | 2 x Ø450 | 11,00 | 15537 | 12998 | 10701 | 8696 |
| | 700.0098.22 | R2-7VLR33.4X | 8.276 | 9.757 | 3 | 2 x Ø450 | 15,00 | 16831 | 14082 | 11593 | 9420 |
| | 700.0098.31 | N2-7VLR38.4X | 8.612 | 10.789 | 3 | 2 x Ø450 | 15,00 | 18659 | 15974 | 13524 | 11221 |
| | 700.0125.21 | X4 -15VR73.4X | 15.690 | 17.729 | 3 | 4 x Ø450 | 30,00 | 37402 | 31320 | 25917 | 20722 |
| | 700.0140.01 | T4-20VR83.4X | 17.971 | 19.973 | 3 | 4 x Ø450 | 60,00 | 42552 | 35541 | 31405 | 23527 |
| | 700.0150.01 | T4-25VR93.4X | 18.442 | 20.804 | 3 | 4 x Ø450 | 60,00 | 48121 | 40249 | 33307 | 26672 |
| | 700.0145.11 | S2-30VR118.4X | 20.776 | 23.411 | 3 | 2 x Ø630 | 60,00 | 62528 | 54795 | 43314 | 34642 |

R-448A

| | CÓDIGO CODE | MODELO MODEL | PVP € | PVC ACC. | VENTILADORES FANS | RECIPIENTE RECEIVER (100%) L. | Rendimientos T° ambiente +36°C | | | | |
|--|----------------|-----------------|----------|-------------|----------------------|-------------------------------------|--------------------------------|-------|-------|-------|-------|
| | | | | | | | -5°C | -10°C | -25°C | -35°C | |
| COMPRESORES REFRIGERADOS POR GAS DE ASPIRACIÓN | 700.0082.02 | L2 -5VLR26.4X | 6.812 | 8.544 | 8 | 2 x Ø450 | 11,00 | | | 6346 | 3388 |
| | 700.0098.02 | M2-7VLR26.4X | 8.612 | 11.025 | 3 | 2 x Ø450 | 15,00 | 14168 | 12323 | 6346 | 3388 |
| | 700.0082.12 | L2 -5VLR29.4X | 6.812 | 8.545 | 8 | 2 x Ø450 | 11,00 | | | 6988 | 3742 |
| | 700.0098.12 | M2-7VLR29.4X | 8.612 | 11.025 | 3 | 2 x Ø450 | 15,00 | 16338 | 13737 | 6598 | 3658 |
| | 700.0098.22 | R2-7VLR33.4X | 8.163 | 9.836 | 8 | 2 x Ø450 | 15,00 | | | 8113 | 4514 |
| | 700.0112.02 | M2-10VLR33.4X | 9.543 | 11.184 | 3 | 2 x Ø450 | 30,00 | 16769 | 13725 | 7230 | 3972 |
| | 700.0098.32 | R2-7VLR38.4X | 8.163 | 9.836 | 8 | 2 x Ø450 | 15,00 | | | 9696 | 5394 |
| | 700.0112.12 | K3 -10VLR38.4X | 10.855 | 12.842 | 3 | 3 x Ø450 | 30,00 | 21065 | 18508 | 7586 | 4100 |
| | 700.0125.22 | K3 -15VR73.4X | 14.865 | 18.458 | 4 | 3 x Ø450 | 30,00 | | | 14361 | 7205 |
| | 700.0135.02 | S2-25VR73.4X | 20.277 | 22.440 | 3 | 2 x Ø630 | 60,00 | 46477 | 37140 | 13392 | 6996 |
| | 700.0140.02 | K3 -20VR83.4X | 15.354 | 18.412 | 4 | 3 x Ø450 | 60,00 | | | 16254 | 8286 |
| | 700.0145.02 | S2-30VR83.4X | 20.698 | 23.416 | 3 | 2 x Ø630 | 60,00 | 52833 | 42151 | 15187 | 7062 |
| | 700.0150.02 | X4 -25VR93.4X | 16.174 | 20.692 | 4 | 4 x Ø450 | 60,00 | | | 18424 | 9670 |
| | 700.0155.02 | Y3 -35VR93.4X | 21.706 | 24.030 | 3 | 3 x Ø630 | 60,00 | 59377 | 47463 | 17065 | 9064 |
| | 700.0145.12 | T4-30VR118.4X | 18.420 | 22.469 | 4 | 4 x Ø450 | 60,00 | | | 23900 | 12164 |
| | 700.0160.02 | Z3-40VR118.4X | 24.522 | 26.728 | 3 | 3 x Ø630 | 60,00 | 77643 | 62007 | 22330 | 11747 |

R448A - Necesario ventilador de culata para BT - Motor fan needed for LT

**KITS UNIDAD
CONDENSADORA +
EVAPORADOR
KITS CONDENSING UNIT +
EVAPORATOR**



Gelphametic

ABRIL 2024
APRIL 2024



KOBOL

Evaporadores cúbicos/industriales KOBOL seleccionados con $\Delta T-8K$ (ENV328-SC2 Media temperatura) y $\Delta T-7K$ (ENV328-SC3 Baja temperatura) con desescarche eléctrico incorporado en aplicaciones de baja temperatura y separación de aletas 4 - 4,5 - 7 - 10 mm según modelo.

Unidades condensadoras helicoidales GELPHA, accesorios incluidos en el kit: Resistencia (Baja temp.), presostato AyB, filtro de líquido, visor de líquido, presostato dif.aceite (si bomba aceite) y bypass de arranque (+10C.V.)

OPCIONAL: Separador de aceite, separador de líquido, solenoide, ventiladores electrónicos S&P erp2015, presostatos simples, cuadro eléctrico de maniobra AUTRIAL (potencia y control de compresor, condensador, evaporador, desescarche,...) y valv.expansión DANFOSS

| | Cámara Aisl. 80mm | U.Condensadora | evap.-5°C / amb.36°C | | Evaporador Modelo | Kw DT-8°C | Caudal m³/h | Vent. unit/ø | Vol. dm³ | Sup. m² | PVP KIT |
|-------------------|----------------------|----------------|----------------------|---------|----------------------|--------------|----------------|-----------------|-------------|------------|---------|
| | | | R-404A | R-448A | | | | | | | |
| MEDIA TEMPERATURA | 6 m³ | F1-07K3.2X | 1754 | 1703 | CR-18 | 2 | 1600 | 2 x 250 | 2,4 | 8,5 | |
| | 12 m³ | P2-1K5.2X | 2564 | 2489 | CR-25 | 2,8 | 1500 | 1 x 315 | 2,8 | 13,8 | |
| | 18 m³ | G1-1K5.2X | 3029 | 2941 | CR-32 | 3,5 | 2200 | 3 x 250 | 4,5 | 16,9 | |
| | 22 m³ | P2-1,5K7.2X | 3983 | 3867 | CR-39 | 4,1 | 2825 | 1 x 350 | 5,2 | 18 | |
| | 22 m³ | G1-1,5K7.2X | 3900 | 3786 | CR-39 | 4,1 | 2825 | 1 x 350 | 5,2 | 18 | |
| | 26 m³ | P2-1,5K8.2X | 4386 | 4258 | CR-44 | 4,7 | 3500 | 2 x 315 | 5 | 18,4 | |
| | 30 m³ | J1-2K8.2X | 4600 | 4466 | CR-44 | 4,7 | 3500 | 2 x 315 | 5 | 18,4 | |
| | 38 m³ | K2-2L9.2X | 5330 | 5175 | CR-52 | 5,6 | 2870 | 2 x 315 | 7,5 | 24,1 | |
| | 54 m³ | L2-3L13.2X | 7392 | 7177 | CR-79 | 8,4 | 5650 | 2 x 350 | 9,4 | 36,1 | |
| | 90 m³ | Q2-4L17.2X | 10812 | 10497 | IRP-87 | 10,8 | 5200 | 1 x 450 | 11 | 42 | |
| | 120 m³ | Q2-4L19.2X | 12251 | 11894 | CR-119 | 12,7 | 8450 | 3 x 350 | 12,8 | 54,1 | |
| | 130 m³ | R2-5L23.2X | 13500 | 13107 | CC-114 | 15,9 | 8050 | 3 x 350 | 20 | 56,9 | |
| | 130 m³ | R2-5LR23.2X | 13300 | 12913 | CC-114 | 15,9 | 8050 | 3 x 350 | 20 | 56,9 | |
| | 150 m³ | M2-7MR27.2X | 15162 | 14720 | CC-114 | 15,9 | 8050 | 3 x 350 | 20 | 81,1 | |
| | 210 m³ | M2-8GR31.3X | 18095 | 17568 | IRP-174 | 21,7 | 10400 | 2 x 450 | 22 | 84 | |
| | 240 m³ | K3-9MR32.2X | 19839 | 19261 | IRP-174 | 21,7 | 10400 | 2 x 450 | 22 | 84 | |
| | 240 m³ | N2-8GR31.3X | 19186 | 18627 | IRP-174 | 21,7 | 10400 | 2 x 450 | 22 | 84 | |
| 260 m³ | K3-10GR39.3X | 22140 | 21495 | IRP-174 | 21,7 | 10400 | 2 x 450 | 22 | 84 | | |
| 260 m³ | M2-10GR39.3X | 21063 | 20450 | IRP-174 | 21,7 | 10400 | 2 x 450 | 22 | 84 | | |

| | Cámara Aisl. 80mm | U.Condensadora | evap.-25°C / amb.36°C | | Evaporador Modelo | Kw DT-8°C | Caudal m³/h | Vent. unit/ø | Vol. dm³ | Sup. m² | PVP KIT |
|------------------|----------------------|----------------|-----------------------|--------|----------------------|--------------|----------------|-----------------|-------------|------------|---------|
| | | | R-404A | R-448A | | | | | | | |
| BAJA TEMPERATURA | 2 m³ | F1-07K3.2X | 759 | 672 | CC-9-E | 0,9 | 650 | 1 x 250 | 2,8 | 5,9 | |
| | 4 m³ | F1-07K5.2X | 1295 | 1146 | CC-15-E | 1,5 | 1800 | 1 x 315 | 2,8 | 6,5 | |
| | 4 m³ | P2-1K5.2X | 1220 | 1080 | CC-15-E | 1,5 | 1800 | 1 x 315 | 2,8 | 6,5 | |
| | 4 m³ | G1-1K5.2X | 1152 | 1019 | CC-15-E | 1,5 | 1800 | 1 x 315 | 2,8 | 6,5 | |
| | 8 m³ | E2-1K7.2X | 1718 | 1520 | CC-19-E | 2 | 2400 | 3 x 250 | 3,2 | 8,9 | |
| | 6 m³ | P2-1,5K7.2X | 1562 | 1382 | CC-15-E | 1,5 | 1800 | 1 x 315 | 2,8 | 6,5 | |
| | 6 m³ | G1-1,5K7.2X | 1612 | 1427 | CC-19-E | 2 | 2400 | 3 x 250 | 3,2 | 8,9 | |
| | 8 m³ | P2-1,5K8.2X | 1887 | 1670 | CC-19-E | 2 | 2400 | 3 x 250 | 3,2 | 8,9 | |
| | 12 m³ | P2-1,5K9.2X | 2320 | 2053 | CC-27-E | 2,7 | 2800 | 1 x 350 | 4,8 | 12,6 | |
| | 10 m³ | J1-2K8.2X | 1989 | 1760 | CC-19-E | 2 | 2400 | 3 x 250 | 3,2 | 8,9 | |
| | 10 m³ | P2-2K9.2X | 2182 | 1931 | CC-27-E | 2,7 | 2800 | 1 x 350 | 4,8 | 12,6 | |
| | 12 m³ | K2-2L9.2X | 2220 | 1965 | CC-27-E | 2,7 | 2800 | 1 x 350 | 4,8 | 12,6 | |
| | 20 m³ | K2-2L13.2X | 3200 | 2832 | CC-33-E | 3,3 | 3670 | 2 x 315 | 5 | 12,9 | |
| | 20 m³ | J1-2L13.2X | 3190 | 2823 | CC-33-E | 3,3 | 3670 | 2 x 315 | 5 | 12,9 | |
| | 16 m³ | L2-3L13.2X | 2650 | 2345 | CC-27-E | 2,7 | 2800 | 1 x 350 | 4,8 | 12,6 | |
| | 45 m³ | H2-3L19.2X | 5417 | 4794 | CC-56-E | 5,5 | 5600 | 2 x 350 | 8,7 | 25,2 | |
| | 35 m³ | Q2-4L17.2X | 4579 | 4052 | CC-50-E | 4,9 | 5450 | 3 x 315 | 7,2 | 19,4 | |
| | 35 m³ | Q2-4L19.2X | 5455 | 4827 | CC-56-E | 5,5 | 5600 | 2 x 350 | 8,7 | 25,2 | |
| | 45 m³ | L2-4L23.2X | 6150 | 5442 | CC-75-E | 7,2 | 5360 | 2 x 350 | 14 | 37,9 | |
| | 45 m³ | R2-5L23.2X | 6125 | 5420 | CC-75-E | 7,2 | 5360 | 2 x 350 | 14 | 37,9 | |
| | 50 m³ | R2-5LR23.2X | 6325 | 5597 | CC-75-E | 7,2 | 5360 | 2 x 350 | 14 | 37,9 | |
| | 70 m³ | L2-6MR27.2X | 7450 | 6593 | CC-85-E | 8,4 | 8545 | 3 x 350 | 14 | 37,9 | |
| | 70 m³ | M2-7MR27.2X | 7450 | 6593 | CC-85-E | 8,4 | 8545 | 3 x 350 | 14 | 37,9 | |
| | 90 m³ | K3-9MR32.2X | 8940 | 7912 | CC-114-E | 10,8 | 8050 | 3 x 350 | 20 | 56,9 | |
| | 90 m³ | L2-6GR31.3X | 8490 | 7513 | CC-85-E | 8,4 | 8545 | 3 x 350 | 14 | 37,9 | |
| | 85 m³ | M2-8GR31.3X | 8017 | 7095 | CC-85-E | 8,4 | 8545 | 3 x 350 | 14 | 37,9 | |
| | 75 m³ | N2-8GR31.3X | 7976 | 7058 | CC-85-E | 8,4 | 8545 | 3 x 350 | 14 | 37,9 | |
| | 80 m³ | K3-10GR39.3X | 8747 | 7741 | CC-114-E | 10,8 | 8050 | 3 x 350 | 20 | 56,9 | |
| | 130 m³ | R2-8GR39.3X | 11180 | 9894 | IFP-103-E | 11,2 | 11700 | 2 x 450 | 22 | 33,6 | |
| | 105 m³ | M2-10GR39.3X | 9963 | 8817 | CC-114-E | 10,8 | 8050 | 3 x 350 | 20 | 54,9 | |

CUADROS ELÉCTRICOS PARA KITS ELECTRIC PANEL BOXES FOR KITS



- Envoltente Himel
- Interruptor general corte carga 45A
- Arrancador directo disyuntor magnetotérmico y contactor para compresor
- Maniobra by pass (Arranque descargado)
- Maniobra presostato diferencial aceite
- Disyuntor magnetotérmico y contactor para ventilador III condensador presostato alta
- Disyuntor magnetotérmico y contactor para ventilador III evaporador según regulaciones
- Interruptor magnetotérmico para maniobra
- Interruptor magnetotérmico para resistencias
- Lámparas de indicación según maniobra y modelo
- Control mediante microprocesador Eliwell + aparellaje ABB



| U.Condensadora | HP | Ventiladores Condensador | Evaporador Modelo | Resistencias | W / A | Vent. unit / ø | W / A | Cuadro MTC | PVP / RRP € |
|----------------|----|--------------------------|-------------------|--------------|-------|----------------|-------|------------|-------------|
|----------------|----|--------------------------|-------------------|--------------|-------|----------------|-------|------------|-------------|

| MEDIA TEMPERATURA | F1-07K3.2X | 0,75 | 1x 0,68A (Monofásico) | CR-18 | NO | 2 x 250 | 112/0,5 | MTC020100 | 1.099 € |
|-------------------|-------------|-------------|-----------------------|---------|---------|----------|-----------|-----------|-----------|
| | P2-1K5.2X | 1 | 2x 0,68A (Monofásico) | CR-25 | NO | 1 x 315 | 110/0,54 | MTC020100 | 1.099 € |
| | G1-1K5.2X | 1 | 1x 0,7A III | CR-32 | NO | 3 x 250 | 168/0,75 | MTC020100 | 1.099 € |
| | P2-1,5K7.2X | 1,5 | 2x 0,68A (Monofásico) | CR-39 | NO | 1 x 350 | 145/0,73 | MTC030100 | 1.346 € |
| | G1-1,5K7.2X | 1,5 | 1x 0,7A III | CR-39 | NO | 1 x 350 | 145/0,73 | MTC030100 | 1.346 € |
| | P2-1,5K8.2X | 1,5 | 2x 0,68A(Monofásico) | CR-44 | NO | 2 x 315 | 220/1,08 | MTC030100 | 1.346 € |
| | J1-2K8.2X | 2 | 1x 0,7A III | CR-44 | NO | 2 x 315 | 220/1,08 | MTC030100 | 1.346 € |
| | K2-2L9.2X | 2 | 2x 0,8A III | CR-52 | NO | 2 x 315 | 220/1,08 | MTC030101 | 1.346 € |
| | L2-3L13.2X | 3 | 2x 0,8A III | CR-79 | NO | 2 x 350 | 290/1,46 | MTC040101 | 1.353 € |
| | Q2-4L17.2X | 4 | 2x 0,7A III | IRP-87 | NO | 1 x 450 | 480/0,98 | MTC050101 | Consultar |
| | Q2-4L19.2X | 4 | 2x 0,7A III | CR-119 | NO | 3 x 350 | 435/2,19 | MTC040101 | 1.353 € |
| | R2-5L23.2X | 5 | 2x 1,4A III | CC-114 | NO | 3 x 350 | 435/2,19 | MTC050101 | 1.362 € |
| | R2-5LR23.2X | 5 | 2x 1,4A III | CC-114 | NO | 3 x 350 | 435/2,19 | MTC050101 | 1.362 € |
| | M2-7MR27.2X | 7,5 | 2x 1,4A III | CC-114 | NO | 3 x 350 | 435/2,19 | MTC060101 | 1.374 € |
| | M2-8GR31.3X | 7,5 | 2x 1,4A III | IRP-174 | NO | 2 x 450 | 960/1,96 | MTC060101 | Consultar |
| K3-9MR32.2X | 10 | 3x 1,4A III | IRP-174 | NO | 2 x 450 | 960/1,96 | MTC070101 | Consultar | |
| N2-8GR31.3X | 7,5 | 2x 1,4A III | IRP-174 | NO | 2 x 450 | 960/1,96 | MTC060101 | Consultar | |
| K3-10GR39.3X | 10 | 3x 1,4A III | IRP-174 | NO | 2 x 450 | 960/1,96 | MTC070101 | Consultar | |
| M2-10GR39.3X | 10 | 2x 1,4A III | IRP-174 | NO | 2 x 450 | 960/1,96 | MTC070101 | Consultar | |

| BAJA TEMPERATURA | F1-07K3.2X | 0,75 | 1x 0,68A(Monofásico) | CC-9-E | SI | 1083/1,86 | 1 x 250 | 56/0,25 | MTD020100 | 1.348 € |
|------------------|--------------|------|----------------------|-----------|----|-----------|---------|----------|-----------|-----------|
| | F1-07K5.2X | 0,75 | 1x 0,68A(Monofásico) | CC-15-E | SI | 1803/3,88 | 1 x 315 | 110/0,54 | MTD020100 | 1.348 € |
| | P2-1K5.2X | 1 | 2x 0,68A(Monofásico) | CC-15-E | SI | 1803/3,88 | 1 x 315 | 110/0,54 | MTD020100 | 1.348 € |
| | G1-1K5.2X | 1 | 1x 0,7A III | CC-15-E | SI | 1803/3,88 | 1 x 315 | 110/0,54 | MTD020100 | 1.348 € |
| | E2-1K7.2X | 1 | 2x 0,68A(Monofásico) | CC-19-E | SI | 2145/3,75 | 3 x 250 | 168/0,75 | MTD020100 | 1.348 € |
| | P2-1,5K7.2X | 1,5 | 2x 0,68A(Monofásico) | CC-15-E | SI | 1803/3,88 | 1 x 315 | 110/0,54 | MTD030100 | 1.591 € |
| | G1-1,5K7.2X | 1,5 | 1x 0,7A III | CC-19-E | SI | 2145/3,75 | 3 x 250 | 168/0,75 | MTD030100 | 1.591 € |
| | P2-1,5K8.2X | 1,5 | 2x 0,68A(Monofásico) | CC-19-E | SI | 2145/3,75 | 3 x 250 | 168/0,75 | MTD030100 | 1.591 € |
| | G1-1,5K9.2X | 1,5 | 2x 0,68A(Monofásico) | CC-27-E | SI | 3017/5,28 | 1 x 350 | 145/0,73 | MTD030100 | 1.591 € |
| | J1-2K8.2X | 2 | 1x 0,7A III | CC-19-E | SI | 2145/3,75 | 3 x 250 | 168/0,75 | MTD030100 | 1.591 € |
| | P2-2K9.2X | 2 | 2x 0,68A(Monofásico) | CC-27-E | SI | 3017/5,28 | 1 x 350 | 145/0,73 | MTD030100 | 1.591 € |
| | K2-2L9.2X | 2 | 2x 0,8A III | CC-27-E | SI | 3017/5,28 | 1 x 350 | 145/0,73 | MTD030101 | 1.591 € |
| | K2-2L13.2X | 2 | 2x 0,8A III | CC-33-E | SI | 3162/6,9 | 2 x 315 | 220/1,08 | MTD040101 | 1.598 € |
| | J1-2L13.2X | 2 | 1x 0,4A III | CC-33-E | SI | 3162/6,9 | 2 x 315 | 220/1,08 | MTD040101 | 1.598 € |
| | L2-3L13.2X | 3 | 2x 0,8A III | CC-27-E | SI | 3017/5,28 | 1 x 350 | 145/0,73 | MTD040101 | 1.598 € |
| | H2-3L19.2X | 3 | 2x 0,8A III | CC-56-E | SI | 5525/9,72 | 2 x 350 | 290/1,46 | MTD040101 | 1.598 € |
| | Q2-4L17.2X | 4 | 2x 0,7A III | CC-50-E | SI | 4521/9,92 | 3 x 315 | 330/1,62 | MTD040101 | 1.598 € |
| | Q2-4L19.2X | 4 | 2x 0,7A III | CC-56-E | SI | 5525/9,72 | 2 x 350 | 290/1,46 | MTD040101 | 1.598 € |
| | L2-4L23.2X | 4 | 2x 0,7A III | CC-75-E | SI | 5525/9,72 | 2 x 350 | 290/1,46 | MTD040101 | 1.598 € |
| | R2-5L23.2X | 5 | 2x 1,4A III | CC-75-E | SI | 5525/9,72 | 2 x 350 | 290/1,46 | MTD050101 | 1.606 € |
| | R2-5LR23.2X | 5 | 2x 1,4A III | CC-75-E | SI | 5525/9,72 | 2 x 350 | 290/1,46 | MTD050101 | 1.606 € |
| | L2-6MR27.2X | 5 | 2x 0,8A III | CC-85-E | SI | 7982/14,2 | 3 x 350 | 435/2,19 | MTD050101 | 1.606 € |
| | M2-7MR27.2X | 7,5 | 2x 1,4A III | CC-85-E | SI | 7982/14,2 | 3 x 350 | 435/2,19 | MTD060101 | 1.618 € |
| | K3-9MR32.2X | 10 | 3x 1,4A III | CC-114-E | SI | 7982/14,2 | 3 x 350 | 435/2,19 | MTD070102 | 1.672 € |
| | L2-6GR31.3X | 5 | 2x 0,8A III | CC-85-E | SI | 7982/14,2 | 3 x 350 | 435/2,19 | MTD050101 | 1.606 € |
| | M2-8GR31.3X | 7,5 | 2x 1,4A III | CC-85-E | SI | 7982/14,2 | 3 x 350 | 435/2,19 | MTD060101 | 1.618 € |
| | N2-8GR31.3X | 7,5 | 2x 1,4A III | CC-85-E | SI | 7982/14,2 | 3 x 350 | 435/2,19 | MTD050101 | 1.606 € |
| | K3-10GR39.3X | 10 | 3x 1,4A III | CC-114-E | SI | 7982/14,2 | 3 x 350 | 435/2,19 | MTD070102 | 1.672 € |
| | R2-8GR39.3X | 7,5 | 2x 1,4A III | IFP-103-E | SI | 6440/11 | 2 x 450 | 960/1,96 | MTD060101 | Consultar |
| | M2-10GR39.3X | 10 | 2x 1,4A III | CC-114-E | SI | 7982/14,2 | 3 x 350 | 435/2,19 | MTD070102 | 1.672 € |

UNIDAD CONDENSADORA AIRE HELICOIDAL VARIANTE CARROZADA AIR COOLED CONDENSING UNIT INBOX



| CÓDIGO CODE | MODELO MODEL | MEDIDAS EXTERIORES EXTERNAL DIMENSIONS cms | PVP RRP € | VENTILADORES FANS | RECIPIENTE RECEIVER lts | DESCARGA DISCHARGE | ASPIRACIÓN SUCTION | LÍQUIDO LIQUID |
|----------------|-----------------|---|-----------------|----------------------|-------------------------------|-----------------------|-----------------------|-------------------|
| 704.0010.02 | C1-07K3.2X | 81x55x50 | 4.859 | 2 x Ø300 | 3,00 | 3/8" | 1/2" | 3/8" |
| 704.0011.12 | C1-07K5.2X | 81x55x50 | 4.859 | 2 x Ø300 | 3,00 | 3/8" | 1/2" | 3/8" |
| 704.0015.02 | C1-1K5.2X | 81x55x50 | 4.888 | 2 x Ø300 | 3,00 | 1/2" | 5/8" | 3/8" |
| 704.0016.02 | C1-1K7.2X | 81x55x50 | 4.922 | 2 x Ø300 | 3,00 | 1/2" | 5/8" | 3/8" |
| 704.0020.12 | C1-1,5K7.2X | 81x55x50 | 4.976 | 2 x Ø300 | 5,20 | 1/2" | 5/8" | 3/8" |
| 704.0021.02 | C1-1,5K8.2X | 81x55x50 | 4.976 | 2 x Ø300 | 5,20 | 1/2" | 5/8" | 3/8" |
| 704.0022.02 | C1-1,5K9.2X | 81x55x50 | 4.976 | 2 x Ø300 | 5,20 | 1/2" | 5/8" | 3/8" |
| 704.0025.02 | C1-2K8.2X | 81x55x50 | 5.189 | 2 x Ø300 | 5,20 | 1/2" | 5/8" | 3/8" |
| 704.0026.02 | C1-2K9.2X | 81x55x50 | 5.126 | 2 x Ø300 | 5,20 | 1/2" | 5/8" | 3/8" |
| 704.0030.12 | C2-2L9.2X | 91x72x50 | 6.386 | 2 x Ø350 | 5,20 | 1/2" | 7/8" | 3/8" |
| 704.0031.22 | C2-2L13.2X | 91x72x50 | 6.386 | 2 x Ø350 | 5,20 | 1/2" | 7/8" | 3/8" |
| 704.0035.32 | C3-3L13.2X | 108x78x58 | 7.175 | 2 x Ø350 | 7,10 | 5/8" | 7/8" | 1/2" |
| 704.0036.12 | C2-3L19.2X | 91x72x50 | 6.792 | 2 x Ø350 | 7,10 | 5/8" | 1"1/8 | 1/2" |
| 704.0055.12 | C3-4L17.2X | 108x78x58 | 7.784 | 2 x Ø400 | 11,00 | 5/8" | 7/8" | 1/2" |
| 704.0056.32 | C3-4L19.2X | 108x78x58 | 7.924 | 2 x Ø400 | 11,00 | 5/8" | 1"1/8 | 1/2" |
| 704.0057.12 | C3-4L23.2X | 108x78x58 | 7.135 | 2 x Ø350 | 11,00 | 5/8" | 1"1/8 | 1/2" |

Nivel sonoro / Sound level 59-67 dB

R-448A

| | Rendimientos T° ambiente +36°C | | | |
|-------------|--------------------------------|-------|-------|-------|
| | -5°C | -10°C | -25°C | -35°C |
| C1-07K3.2X | 1703 | 1409 | 672 | 342 |
| C1-07K5.2X | | | 1146 | 579 |
| C1-1K5.2X | 2489 | 2048 | 1080 | 552 |
| C1-1K7.2X | | | 1520 | 807 |
| C1-1,5K7.2X | 3867 | 3195 | 1382 | 768 |
| C1-1,5K8.2X | 4258 | 3521 | 1670 | 885 |
| C1-1,5K9.2X | | | 2053 | 898 |
| C1-2K8.2X | 4466 | 3691 | 1760 | 930 |
| C1-2K9.2X | | 4245 | 1931 | 840 |
| C2-2L9.2X | 5175 | 4173 | 1965 | 960 |
| C2-2L13.2X | | | 2832 | 1328 |
| C3-3L13.2X | 7177 | 6000 | 2805 | 1310 |
| C2-3L19.2X | | | 4907 | 2064 |
| C3-4L17.2X | 10497 | 9098 | 4052 | 1916 |
| C3-4L19.2X | 11894 | 9855 | 4827 | 2070 |
| C3-4L23.2X | | | 5442 | 2644 |

Todas las unidades GELPHA carrozadas incorporan presostato de Alta y Baja, línea de líquido con filtro deshidratador y visor, línea de aspiración con aislamiento y antivibrador, ventiladores cableados. Opcional: resistencia de cárter.

All GELPHA inbox units include H/L pressure switch, liquid line with filter drier and sightglass, isolated suction line and vibration eliminator, wired motor fans. ©Optional: crankcase heater.

CUADROS ELÉCTRICOS PARA UNIDADES CONDENSADORAS INBOX ELECTRIC PANEL BOXES FOR INBOX CONDENSING UNITS



| | Compresor | HP | Condens. | Evaporador II Max 2A SIN Resistencias | Microprocesador ELIWELL | Modelo Cuadro | Regulación U. Cond. | Condensador Ventilador III | Tamaño mm | PVP / RRP € |
|--|-----------|------|----------|---------------------------------------|-------------------------|---------------|---------------------|----------------------------|-------------|-------------|
| MEDIA TEMPERATURA / SIN DESESCARCHE | 07K3.2X | 0,75 | C1 | SI | EW971 | MTC020100 | 2,5 - 4 A | | 300x300x150 | 1.099 |
| | 07K5.2X | 0,75 | C1 | SI | EW971 | MTC020100 | 2,5 - 4 A | | 300x300x150 | 1.099 |
| | 1K5.2X | 1 | C1 | SI | EW971 | MTC020100 | 2,5 - 4 A | | 300x300x150 | 1.099 |
| | 1K7.2X | 1 | C1 | SI | EW971 | MTC020100 | 2,5 - 4 A | | 300x300x150 | 1.099 |
| | 1,5K7.2X | 1,5 | C1 | SI | EW971 | MTC030100 | 4 - 6,3 A | | 300x300x150 | 1.346 |
| | 1,5K8.2X | 1,5 | C1 | SI | EW971 | MTC030100 | 4 - 6,3 A | | 300x300x150 | 1.346 |
| | 1,5K9.2X | 1,5 | C1 | SI | EW971 | MTC030100 | 4 - 6,3 A | | 300x300x150 | 1.346 |
| | 2K8.2X | 2 | C1 | SI | EW971 | MTC030100 | 4 - 6,3 A | | 300x300x150 | 1.346 |
| | 2K9.2X | 2 | C1 | SI | EW971 | MTC030100 | 4 - 6,3 A | | 300x300x150 | 1.346 |
| | 2L9.2X | 2 | C2 | SI | EW971 | MTC030101 | 4 - 6,3 A | 1 x 1-1,6 A | 400x300x200 | 1.346 |
| | 2L13.2X | 2 | C2 | SI | EW971 | MTC040101 | 6,3 - 10 A | 1 x 1-1,6 A | 400x300x200 | 1.353 |
| | 3L13.2X | 3 | C3 | SI | EW971 | MTC040101 | 6,3 - 10 A | 1 x 1-1,6 A | 400x300x200 | 1.353 |
| | 3L19.2X | 3 | C3 | SI | EW971 | MTC040101 | 6,3 - 10 A | 1 x 1-1,6 A | 400x300x200 | 1.353 |
| | 4L17.2X | 4 | C3 | SI | EW971 | MTC040101 | 6,3 - 10 A | 1 x 1-1,6 A | 400x300x200 | 1.353 |
| 4L19.2X | 4 | C3 | SI | EW971 | MTC040101 | 6,3 - 10 A | 1 x 1-1,6 A | 400x300x200 | 1.353 | |
| 4L23.2X | 4 | C3 | SI | EW971 | MTC040101 | 6,3 - 10 A | 1 x 1-1,6 A | 400x300x200 | 1.353 | |

| | Compresor | HP | Condens. | Evaporador II Max 2A Resist. II Max. 10A | Microprocesador ELIWELL | Modelo Cuadro | Regulación U. Cond. | Condensador Ventilador III | Tamaño mm | PVP / RRP € |
|---|-----------|------|----------|--|-------------------------|---------------|---------------------|----------------------------|-------------|-------------|
| BAJA TEMPERATURA / CON DESESCARCHE | 07K3.2X | 0,75 | C1 | SI | EW974 | MTD020100 | 2,5 - 4 A | | 400x300x200 | 1.348 |
| | 07K5.2X | 0,75 | C1 | SI | EW974 | MTD020100 | 2,5 - 4 A | | 400x300x200 | 1.348 |
| | 1K5.2X | 1 | C1 | SI | EW974 | MTD020100 | 2,5 - 4 A | | 400x300x200 | 1.348 |
| | 1K7.2X | 1 | C1 | SI | EW974 | MTD020100 | 2,5 - 4 A | | 400x300x200 | 1.348 |
| | 1,5K7.2X | 1,5 | C1 | SI | EW974 | MTD030100 | 4 - 6,3 A | | 400x300x200 | 1.591 |
| | 1,5K8.2X | 1,5 | C1 | SI | EW974 | MTD030100 | 4 - 6,3 A | | 400x300x200 | 1.591 |
| | 1,5K9.2X | 1,5 | C1 | SI | EW974 | MTD030100 | 4 - 6,3 A | | 400x300x200 | 1.591 |
| | 2K8.2X | 2 | C1 | SI | EW974 | MTD030100 | 4 - 6,3 A | | 400x300x200 | 1.591 |
| | 2K9.2X | 2 | C1 | SI | EW974 | MTD030100 | 4 - 6,3 A | | 400x300x200 | 1.591 |
| | 2L9.2X | 2 | C2 | SI | EW974 | MTD030101 | 4 - 6,3 A | 1 x 1-1,6 A | 500x400x200 | 1.591 |
| | 2L13.2X | 2 | C2 | SI | EW974 | MTD040101 | 6,3 - 10 A | 1 x 1-1,6 A | 500x400x200 | 1.598 |
| | 3L13.2X | 3 | C3 | SI | EW974 | MTD040101 | 6,3 - 10 A | 1 x 1-1,6 A | 500x400x200 | 1.598 |
| | 3L19.2X | 3 | C3 | SI | EW974 | MTD040101 | 6,3 - 10 A | 1 x 1-1,6 A | 500x400x200 | 1.598 |
| | 4L17.2X | 4 | C3 | SI | EW974 | MTD040101 | 6,3 - 10 A | 1 x 1-1,6 A | 500x400x200 | 1.598 |
| 4L19.2X | 4 | C3 | SI | EW974 | MTD040101 | 6,3 - 10 A | 1 x 1-1,6 A | 500x400x200 | 1.598 | |
| 4L23.2X | 4 | C3 | SI | EW974 | MTD040101 | 6,3 - 10 A | 1 x 1-1,6 A | 500x400x200 | 1.598 | |

Condensador C1 No lleva protección los ventiladores ni presostato de alta
C2 1 solo ventilador de condensador protegido con contactor + disyuntor con 1 presostato de alta
C3 1 solo ventilador de condensador protegido con contactor + disyuntor con 1 presostato de alta

Protecciones WEG Magnetos + contactores + disyuntores



GEL
GELPHA
Gelphametic

UNIDADES CONDENSADORAS DE AGUA WATER COOLED CONDENSING UNITS

UNIDADES CONDENSADORAS REFRIGERADAS POR AGUA WATER COOLED CONDENSING UNITS



R-134a / R513A

| | CÓDIGO CODE | U. COND. MODELO COND. UNIT MODEL | PVP RRP € | CONDENSADOR CONDENSER | CONEXIONES AGUA (FTP) WATER CONNECTIONS | CAUDAL NOMINAL (Torre)[m³/h] NOMINAL FLOW (Tower)[m³/h] | Rendimientos T° Cond.+30C | | | |
|-------------------|----------------|-------------------------------------|-----------------|--------------------------|--|--|---------------------------|-------|-------|-------|
| | | | | | | | 5°C | 0°C | -5°C | -10°C |
| COMPR. REFR. AIRE | 701.0011.02 | W-07K5.2X | 5.496 | 577.0140.00 | 2 x 1 1/2" | 0,8 | 3275 | 2672 | 2156 | 1717 |
| | 701.0016.02 | W-1K7.2X | 5.485 | 577.0140.00 | 2 x 1 1/2" | 0,8 | 4188 | 3423 | 2764 | 2204 |
| | 701.0021.02 | W-1,5K8.2X | 5.783 | 577.0140.00 | 2 x 1 1/2" | 0,8 | 4801 | 3934 | 3181 | 2542 |
| | 701.0022.02 | W-1,5K9.2X | 5.939 | 577.0140.00 | 2 x 1 1/2" | 0,8 | 5883 | 4815 | 3899 | 3115 |
| | 701.0026.02 | W-2K9.2X | 6.018 | 577.0141.00 | 2 x 1 1/2" | 1 | 5941 | 4858 | 3935 | 3146 |
| | 701.0031.02 | W-2L13.2X | 6.841 | 577.0141.00 | 2 x 1 1/2" | 1 | 8496 | 6958 | 5633 | 4498 |
| | 701.0036.02 | W-3L19.2X | 7.107 | 577.0142.00 | 2 x 2" | 1,5 | 13229 | 10819 | 8732 | 6969 |
| | 701.0057.02 | W-4L23.2X | 7.346 | 577.0142.00 | 2 x 2" | 1,5 | 15485 | 12712 | 10313 | 8281 |
| C. REFR. GAS ASP. | 701.0067.02 | W-4LR23.2X | 7.787 | 577.0142.00 | 2 x 2" | 1,5 | 15330 | 12591 | 10107 | 8119 |
| | 701.0085.02 | W-6MR27.2X | 8.801 | 577.0142.00 | 2 x 2" | 1,5 | 18368 | 14874 | 11855 | 9316 |
| | 701.0102.02 | W-7MR32.2X | 9.241 | 577.0143.00 | 2 x 2" | 1,8 | 22136 | 18080 | 14557 | 11596 |
| | 701.0090.02 | W-6GR31.3X | 9.211 | 577.0142.00 | 2 x 2" | 1,4 | 20610 | 16742 | 13402 | 10575 |
| | 701.0106.02 | W-8GR39.3X | 9.575 | 577.0143.00 | 2 x 2" | 1,8 | 26618 | 21668 | 17392 | 13785 |
| | 701.0116.02 | W-10GR50.3X | 9.999 | 577.0144.00 | 2 x 2" | 4,6 | 33230 | 27036 | 21694 | 17191 |
| | 701.0120.02 | W-12GR60.3X | 10.083 | 577.0144.00 | 2 x 2" | 4,6 | 42818 | 35145 | 28520 | 23278 |

Condensadores con tratamiento marino - Consultar precios.
Marine condensers - Ask price.

R448A - Necesario ventilador de culata para BT - Motor fan needed for LT

UNIDADES CONDENSADORAS REFRIGERADAS POR AGUA WATER COOLED CONDENSING UNITS



ABRIL 2024
APRIL 2024

R-448A / R-404A / R-448A / R449A / R407A / R407F / R407C

| | CÓDIGO CODE | U. COND. MODELO COND. UNIT MODEL | PVP RRP € | CONDENSADOR CONDENSER | CONEXIONES AGUA (FTP) WATER CONNECTIONS | CAUDAL NOMINAL (Torre)[m³/h] NOMINAL FLOW (Tower)[m³/h] | Rendimientos T° Cond.+30C | | | |
|--------------------------------------|-------------|-------------------------------------|--------------|--------------------------|--|--|---------------------------|-------|-------|-------|
| | | | | | | | -5°C | -10°C | -25°C | -35°C |
| COMPRESORES REFRIGERADOS POR AIRE | 701.0010.02 | W-07K3.2X | 5.436 | 577.0140.00 | 2 x 1 1/2" | 0,8 | 2130 | 1701 | 796 | 406 |
| | 701.0011.02 | W-07K5.2X | 5.496 | 577.0140.00 | 2 x 1 1/2" | 0,8 | | | 1390 | 719 |
| | 701.0015.02 | W-1K5.2X | 5.523 | 577.0140.00 | 2 x 1 1/2" | 0,8 | 3622 | 2913 | 1381 | 715 |
| | 701.0016.02 | W-1K7.2X | 5.485 | 577.0140.00 | 2 x 1 1/2" | 0,8 | | | 1870 | 988 |
| | 701.0020.02 | W-1,5K7.2X | 5.757 | 577.0140.00 | 2 x 1 1/2" | 0,8 | 4780 | 3853 | 1862 | 988 |
| | 701.0021.02 | W-1,5K8.2X | 5.783 | 577.0140.00 | 2 x 1 1/2" | 0,8 | | | 2144 | 1139 |
| | 701.0022.02 | W-1,5K9.2X | 5.939 | 577.0140.00 | 2 x 1 1/2" | 0,8 | | | 2671 | 1420 |
| | 701.0026.02 | W-2K9.2X | 6.018 | 577.0141.00 | 2 x 1 1/2" | 1 | 6830 | 5509 | 2616 | 1390 |
| | 701.0030.02 | W-2L9.2X | 6.688 | 577.0141.00 | 2 x 1 1/2" | 1 | 6952 | 5569 | 2549 | 1217 |
| | 701.0031.02 | W-2L13.2X | 6.841 | 577.0141.00 | 2 x 1 1/2" | 1 | | | 3770 | 1818 |
| | 701.0035.02 | W-3L13.2X | 7.021 | 577.0142.00 | 2 x 2" | 1,5 | 10193 | 8182 | 3589 | 1774 |
| | 701.0038.02 | W-3L17.2X | 6.976 | 577.0142.00 | 2 x 2" | 1,5 | 13230 | 10634 | 5413 | 2710 |
| | 701.0036.02 | W-3L19.2X | 7.107 | 577.0142.00 | 2 x 2" | 1,5 | | | 6276 | 3282 |
| | 701.0055.02 | W-4L17.2X | 7.151 | 577.0142.00 | 2 x 2" | 1,5 | 14180 | 11446 | 5358 | 2692 |
| | 701.0056.02 | W-4L19.2X | 7.251 | 577.0142.00 | 2 x 2" | 1,5 | 16074 | 12971 | 6134 | 3120 |
| 701.0057.02 | W-4L23.2X | 7.346 | 577.0142.00 | 2 x 2" | 1,5 | | | 7296 | 3876 | |
| 701.0075.02 | W-5L23.2X | 7.416 | 577.0142.00 | 2 x 2" | 1,5 | 18242 | 14603 | 7098 | 3714 | |
| COMPRESORES POR REFR. GAS ASPIRACIÓN | 701.0067.02 | W-4LR23.2X | 7.787 | 577.0142.00 | 2 x 2" | 1,5 | | | 7157 | 3743 |
| | 701.0081.02 | W-5LR23.2X | 7.849 | 577.0142.00 | 2 x 2" | 1,5 | 17892 | 14331 | 6967 | 3610 |
| | 701.0085.02 | W-6MR27.2X | 8.801 | 577.0142.00 | 2 x 2" | 1,5 | | 16609 | 7978 | 4160 |
| | 701.0100.02 | W-7MR27.2X | 9.149 | 577.0143.00 | 2 x 2" | 1,8 | 20693 | 16571 | 7734 | 3935 |
| | 701.0102.02 | W-7MR32.2X | 9.241 | 577.0143.00 | 2 x 2" | 1,8 | | | 9133 | 4662 |
| | 701.0110.02 | W-9MR32.2X | 9.353 | 577.0143.00 | 2 x 2" | 1,8 | 24349 | 19512 | 9099 | 4643 |
| | 701.0090.02 | W-6GR31.3X | 9.211 | 577.0142.00 | 2 x 2" | 1,5 | | | 8947 | 4595 |
| | 701.0105.02 | W-8GR31.3X | 9.560 | 577.0143.00 | 2 x 2" | 1,8 | 24396 | 19490 | 8766 | 4448 |
| | 701.0106.02 | W-8GR39.3X | 9.575 | 577.0143.00 | 2 x 2" | 1,8 | | | 11517 | 5905 |
| | 701.0115.02 | W-10GR39.3X | 9.815 | 577.0144.00 | 2 x 2" | 4,6 | 30564 | 24523 | 11188 | 5905 |
| | 701.0116.02 | W-10GR50.3X | 9.999 | 577.0144.00 | 2 x 2" | 4,6 | | | 15026 | 7926 |
| | 701.0125.02 | W-15GR50.3X | 10.160 | 577.0144.00 | 2 x 2" | 4,6 | 39095 | 31455 | 14731 | 7896 |
| | 701.0120.02 | W-12GR60.3X | 10.083 | 577.0144.00 | 2 x 2" | 4,6 | | | 18324 | 9678 |
| 701.0130.02 | W-18GR60.3X | 10.236 | 577.0144.00 | 2 x 2" | 4,6 | 47450 | 38209 | 17810 | 9582 | |

Condensadores con tratamiento marino - Consultar precios.
Marine condensers - Ask price.

R448A - Necesario ventilador de culata para BT - Motor fan needed for LT

**UNIDADES CONDENSADORAS REFRIGERADAS POR AGUA
CON COMPRESORES 4 CILINDROS V
WATER COOLED CONDENSING UNITS
WITH 4 CYLINDER COMPRESSORS V**



ABRIL 2024
APRIL 2024

**SEMIHERMÉTICOS
SEMI-HERMETIC**

R-134a / R-513A / R-450A

| | CÓDIGO CODE | U. COND. MODELO COND. UNIT MODEL | PVP RRP € | CONDENSADOR CONDENSER | CONEXIONES AGUA (FTP) WATER CONNECTIONS | CAUDAL NOMINAL (Torre)[m³/h] NOMINAL FLOW (Tower)[m³/h] | Rendimientos T° Cond.+30C | | | |
|---|----------------|-------------------------------------|-----------------|--------------------------|--|--|---------------------------|-------|-------|-------|
| | | | | | | | 5°C | 0°C | -5°C | -10°C |
| COMPRESORES POR REFRIGERADOS GAS DE ASPIRACIÓN | 701.0082.02 | W-5VLR26.4X | 8.202 | 577.0142.00 | 2 x 2" | 1,5 | 17688 | 14324 | 11416 | 8971 |
| | 701.0082.12 | W-5VLR29.4X | 8.480 | 577.0143.00 | 2 x 2" | 1,8 | 19838 | 16064 | 12804 | 10061 |
| | 701.0098.22 | W-7VLR33.4X | 8.507 | 577.0143.00 | 2 x 2" | 1,8 | 22800 | 18622 | 14994 | 11944 |
| | 701.0098.32 | W-7VLR38.4X | 8.547 | 577.0143.00 | 2 x 2" | 1,8 | 26086 | 21234 | 17045 | 13510 |
| | 701.0125.22 | W-15VR73.4X | 14.944 | 577.0143.00 | 2 x 2" | 1,8 | 49706 | 40113 | 31779 | 24633 |
| | 701.0140.02 | W-20VR83.4X | 15.142 | 577.0143.00 | 2 x 2" | 1,8 | 56440 | 45569 | 36033 | 28048 |
| | 701.0150.02 | W-25VR93.4X | 15.164 | 577.0144.00 | 2 x 2" | 4,6 | 63903 | 51606 | 40818 | 31764 |
| | 701.0145.12 | W-30VR118.4X | 15.681 | 577.0144.00 | 2 x 2" | 4,6 | 82983 | 66968 | 53055 | 41226 |

R-448A / R-404A / R449A / R407A / R407F / R407C

| | CÓDIGO CODE | U. COND. MODELO COND. UNIT MODEL | PVP RRP € | CONDENSADOR CONDENSER | CONEXIONES AGUA (FTP) WATER CONNECTIONS | CAUDAL NOMINAL (Torre)[m³/h] NOMINAL FLOW (Tower)[m³/h] | Rendimientos T° Cond.+30C | | | |
|---|----------------|-------------------------------------|-----------------|--------------------------|--|--|---------------------------|-------|-------|-------|
| | | | | | | | -5°C | -10°C | -25°C | -35°C |
| COMPRESORES POR REFRIGERADOS GAS DE ASPIRACIÓN | 701.0082.02 | W-5VLR26.4X | 8.202 | 577.0142.00 | 2 x 2" | 1,5 | | 16354 | 7951 | 4120 |
| | 701.0098.02 | W-7VLR26.4X | 8.713 | 577.0143.00 | 2 x 2" | 1,8 | 20417 | 16364 | 7942 | 4050 |
| | 701.0082.12 | W-5VLR29.4X | 8.480 | 577.0143.00 | 2 x 2" | 1,8 | | 18253 | 8762 | 4942 |
| | 701.0098.12 | W-7VLR29.4X | 8.824 | 577.0143.00 | 2 x 2" | 1,8 | 22578 | 18392 | 8701 | 4913 |
| | 701.0098.22 | W-7VLR33.4X | 8.507 | 577.0143.00 | 2 x 2" | 1,8 | 23918 | 19295 | 9351 | 4942 |
| | 701.0112.02 | W-10VLR33.4X | 8.700 | 577.0143.00 | 2 x 2" | 1,8 | 24004 | 19314 | 9267 | 4846 |
| | 701.0098.32 | W-7VLR38.4X | 8.547 | 577.0143.00 | 2 x 2" | 1,8 | | 22310 | 10826 | 5746 |
| | 701.0112.12 | W-10VLR38.4X | 8.908 | 577.0144.00 | 2 x 2" | 4,6 | 27659 | 22411 | 10796 | 5606 |
| | 701.0125.22 | W-15VR73.4X | 14.944 | 577.0143.00 | 2 x 2" | 1,8 | | | 20404 | 10582 |
| | 701.0135.02 | W-25VR73.4X | 15.182 | 577.0146.00 | 2 x 2" | 5 | 53949 | 42570 | 19293 | 10426 |
| | 701.0140.02 | W-20VR83.4X | 15.142 | 577.0143.00 | 2 x 2" | 1,8 | | | 23196 | 12121 |
| | 701.0145.02 | W-30VR83.4X | 15.572 | 577.0146.00 | 2 x 2" | 5 | 61278 | 48357 | 21938 | 11841 |
| | 701.0150.02 | W-25VR93.4X | 15.164 | 577.0144.00 | 2 x 2" | 4,6 | | | 26274 | 14126 |
| | 701.0155.02 | W-35VR93.4X | 15.779 | 577.0148.00 | 2 x 2 1/2" | 6 | 68965 | 54426 | 24647 | 13384 |
| | 701.0145.12 | W-30VR118.4X | 15.681 | 577.0144.00 | 2 x 2" | 4,6 | | | 34110 | 17812 |
| 701.0160.02 | W-40VR118.4X | 16.446 | 577.0151.00 | 2 x 2 1/2" | 7,4 | 90068 | 71170 | 32253 | 17407 | |

R448A - Necesario ventilador de culata para BT - Motor fan needed for LT

Condensadores con tratamiento marino - Consultar precios
Marine condensers - Ask price



UNIDADES CONDENSADORAS CENTRIFUGAS CENTRIFUGAL CONDENSING UNITS

SEMIHERMÉTICOS
SEMI-HERMETIC

R-134a / R513A / R450A

| | CÓDIGO CODE | UNIDAD COND. CONDENSING UNIT | PVP RRP € | CONDENSADOR CONDENSER | RECIPIENTE RECEIVER (100%) L. | Rendimientos T° Ambiente +36C | | | |
|-----------------|----------------|---------------------------------|-----------------|--------------------------|-------------------------------------|-------------------------------|-------|-------|-------|
| | | | | | | 5°C | 0°C | -5°C | -10°C |
| COMP. REF. AIRE | 702.0011.02 | CT-07K5.2X | 4.855 | 066.0302.01 | 3,00 | 1995 | 1680 | 1380 | 1160 |
| | 702.0016.01 | CT-1K7.2X | 4.853 | 066.0302.01 | 3,00 | 3250 | 2735 | 2275 | 1860 |
| | 702.0022.02 | CT-1,5K9.2X | 5.053 | 066.0304.01 | 5,00 | 4750 | 3975 | 3280 | 2575 |
| | 702.0031.02 | CT-2L13.2X | 6.735 | 066.0305.01 | 5,00 | 6250 | 5300 | 4415 | 3545 |
| | 702.0037.01 | CT-3L19.2X | 7.565 | 066.0307.01 | 7,00 | 9400 | 8010 | 6700 | 5430 |
| | 702.0058.01 | CT-4L23.2X | 7.635 | 066.0308.01 | 11,00 | 11390 | 9650 | 8170 | 6755 |
| C. REF. ASP. | 702.0086.01 | CT-6MR27.2X | 10.966 | 066.0309.01 | 15,00 | 13490 | 11570 | 9750 | 7950 |
| | 702.0091.01 | CT-6GR31.3X | 12.811 | 066.0309.01 | 15,00 | 14965 | 12880 | 10870 | 8970 |
| | 702.0107.01 | CT-8GR39.3X | 11.655 | 066.0310.01 | 15,00 | 18665 | 15980 | 13525 | 11225 |
| | 702.0117.01 | CT-10GR50.3X | 13.624 | 066.0311.01 | 30,00 | 23830 | 20450 | 17265 | 14325 |
| | 702.0120.01 | CT-12GR60.3X | 14.995 | 066.0320.01 | 30,00 | 31075 | 26650 | 22530 | 18760 |

R-448A / R-404A / R449A / R407A / R407F / R407C

R448A - Necesario ventilador de culata para BT - Motor fan needed for LT

| | CÓDIGO CODE | UNIDAD COND. CONDENSING UNIT | PVP RRP € | CONDENSADOR CONDENSER | RECIPIENTE RECEIVER (100%) L. | Rendimientos T° Ambiente +36C | | | |
|-----------------------|----------------|---------------------------------|-----------------|--------------------------|-------------------------------------|-------------------------------|-------|-------|-------|
| | | | | | | -5°C | -10°C | -25°C | -35°C |
| COMPR. REFR. POR AIRE | 702.0011.02 | CT-07K5.2X | 4.855 | 066.0302.01 | 3,00 | | | 1058 | 596 |
| | 702.0015.02 | CT-1K5.2X | 4.850 | 066.0302.01 | 3,00 | 2851 | 2346 | 1053 | 594 |
| | 702.0016.02 | CT-1K7.2X | 4.853 | 066.0302.01 | 3,00 | | | 1520 | 807 |
| | 702.0020.02 | CT-1,5K7.2X | 5.039 | 066.0304.01 | 5,00 | 3867 | 3195 | 1520 | 807 |
| | 702.0022.02 | CT-1,5K9.2X | 5.053 | 066.0304.01 | 5,00 | | | 2053 | 920 |
| | 702.0026.02 | CT-2K9.2X | 5.099 | 066.0304.01 | 5,00 | 5204 | 4245 | 1819 | 898 |
| | 702.0031.02 | CT-2L13.2X | 6.735 | 066.0305.01 | 5,00 | | | 2996 | 1428 |
| | 702.0035.02 | CT-3L13.2X | 7.565 | 066.0307.01 | 7,00 | 7922 | 6562 | 2801 | 1400 |
| | 702.0055.02 | CT-4L17.2X | 7.644 | 066.0308.01 | 11,00 | 10497 | 8665 | 4219 | 1971 |
| | 702.0057.02 | CT-4L23.2X | 7.623 | 066.0307.01 | 11,00 | | | 4898 | 2752 |
| COMPR. REFR. GAS ASP. | 702.0075.02 | CT-5L23.2X | 8.762 | 066.0309.01 | 11,00 | 13056 | 10802 | 4850 | 2584 |
| | 702.0085.02 | CT-6MR27.2X | 9.249 | 066.0307.01 | 15,00 | | | 6155 | 3834 |
| | 702.0100.02 | CT-7MR27.2X | 11.169 | 066.0310.01 | 15,00 | 14888 | 12469 | 6144 | 3588 |
| | 702.0105.02 | CT-8GR31.3X | 13.644 | 066.0311.01 | 15,00 | 18667 | 15251 | 7069 | 3917 |
| | 702.0106.02 | CT-8GR39.3X | 10.258 | 066.0308.01 | 15,00 | | | 8359 | 4378 |
| | 702.0115.02 | CT-10GR39.3X | 14.941 | 066.0313.01 | 30,00 | 20450 | 16737 | 8359 | 4378 |
| | 702.0116.02 | CT-10GR50.3X | 12.315 | 066.0310.01 | 30,00 | | | 10973 | 5400 |
| | 702.0120.02 | CT-12GR60.3X | 13.731 | 066.0311.01 | 30,00 | | | 12584 | 6864 |
| 702.0125.02 | CT-15GR50.3X | 18.397 | 066.0322.01 | 30,00 | 30897 | 25572 | 10973 | 5400 | |
| 702.0130.02 | CT-18GR60.3X | 19.290 | 066.0322.01 | 30,00 | 38112 | 31205 | 12584 | 6864 | |

Todas las unidades se suministran con presostato AyB, filtro deshidratador y visor de líquido. Opciones: aislamiento acústico, posición mueble horizontal o vertical, descarga del aire frontal, lateral o superior.

All units supplied with H/L pressures switch, filter drier and sight glass. Optional: acoustical isolating, horizontal or vertical frame position, front-side-top air flow direction.

**UNIDADES CONDENSADORAS AIRE CENTRIFUGAS
CON COMPRESORES 4 CILINDROS V
CENTRIFUGAL AIR CONDENSING UNITS
WITH 4 CYLINDER COMPRESSORS V**

KOBOL.



SEMIHERMÉTICOS
SEMI-HERMETIC

R-134a / R513A / R450A

| | CÓDIGO CODE | UNIDAD COND. CONDENSING UNIT | PVP RRP € | CONDENSADOR CONDENSER | RECIPIENTE RECEIVER (100%) L. | Rendimientos Tª Ambiente. +36C | | | |
|--------------------------------------|----------------|---------------------------------|-----------------|--------------------------|-------------------------------------|--------------------------------|-------|-------|-------|
| | | | | | | 5°C | 0°C | -5°C | -10°C |
| COMPR. REFR. GAS DE ASPIRACIÓN | 702.0082.01 | CT-5VLR26.4X | 10.530 | 066.0309.01 | 11,00 | 14175 | 11709 | 9520 | 7280 |
| | 702.0082.11 | CT-5VLR29.4X | 10.536 | 066.0309.01 | 11,00 | 15895 | 13132 | 10675 | 8165 |
| | 702.0098.21 | CT-7VLR33.4X | 10.513 | 066.0309.01 | 15,00 | 18385 | 15345 | 12635 | 9855 |
| | 702.0098.31 | CT-7VLR38.4X | 10.706 | 066.0310.01 | 15,00 | 20938 | 17410 | 14280 | 11060 |

R-448A / R-404A / R449A / R407A / R407F / R407C

| | CÓDIGO CODE | UNIDAD COND. CONDENSING UNIT | PVP RRP € | CONDENSADOR CONDENSER | RECIPIENTE RECEIVER (100%) L. | Rendimientos Tª Ambiente. +36°C | | | |
|-----------------------------------|----------------|---------------------------------|-----------------|--------------------------|-------------------------------------|---------------------------------|-------|-------|-------|
| | | | | | | -5°C | -10°C | -25°C | -35°C |
| COMPR. REFR. GAS DE ASPIRACIÓN | 702.0082.02 | CT-5VLR26.4X | 8.506 | 066.0307.01 | 11,00 | | 13235 | 6104 | 3424 |
| | 702.0098.02 | CT-7VLR26.4X | 10.663 | 066.0310.01 | 15,00 | 1619 | 13295 | 6099 | 3348 |
| | 702.0082.12 | CT-5VLR29.4X | 8.508 | 066.0307.01 | 11,00 | | 14314 | 6721 | 3802 |
| | 702.0098.12 | CT-7VLR29.4X | 12.574 | 066.0311.01 | 15,00 | 17714 | 14867 | 6619 | 3760 |
| | 702.0098.22 | CT-7VLR33.4X | 10.687 | 066.0310.01 | 15,00 | 18969 | 15781 | 7243 | 4132 |
| | 702.0112.02 | CT-10VLR33.4X | 12.609 | 066.0311.01 | 30,00 | 19092 | 15881 | 7204 | 4064 |
| | 702.0098.32 | CT-7VLR38.4X | 8.523 | 066.0308.01 | 15,00 | | 18290 | 8389 | 4800 |
| | 702.0112.12 | CT-10VLR38.4X | 13.968 | 066.0313.01 | 30,00 | 21956 | 18390 | 8367 | 4732 |



 **GEL®**
GELPHA
Gelphametic

UNIDADES DE COMPRESIÓN COMPRESSION UNITS

UNIDADES DE COMPRESIÓN (Compresor sobre recipiente) COMPRESSION UNITS (Compressor on receiver)

GEL
GELPHA

Gelphametic

ABRIL 2024
APRIL 2024



SEMIHERMÉTICOS SEMI-HERMETIC

R-134a / R513A / R450A

| | CÓDIGO CODE | UNIDAD COMP. COMPRESSOR UNIT | PVP RRP € | RECIPIENTE LÍQUIDO LIQUID RECEIVER (100%) L. | SALIDA RECIPIENTE OUT VALVE RECEL. | DIMENSIONES DIMENSIONS | | | Rendimientos T° Cond.+40C | | | |
|------------------|----------------|---------------------------------|-----------------|--|---|---------------------------|----------------|----------------|---------------------------|-------|-------|-------|
| | | | | | | LARGO LENGTH | ANCHO WIDTH | ALTO HEIGHT | 5°C | 0°C | -5°C | -10°C |
| C. REF. GAS ASP. | 703.0031.02 | R-2L13.2X | 3.676 | 577.9040.00 (15 L) | 5/8" | 600 | 360 | 700 | 7680 | 6255 | 5040 | 4010 |
| | 703.0036.02 | R-3L19.2X | 3.807 | 577.9040.00 (15L) | 5/8" | 600 | 360 | 700 | 12070 | 9855 | 7955 | 6330 |
| | 703.0057.02 | R-4L23.2X | 3.978 | 577.9040.00 (15L) | 5/8" | 600 | 360 | 700 | 14220 | 11680 | 9500 | 7635 |
| | 703.0067.02 | R-4LR23.2X | 4.880 | 577.9040.00 (15L) | 5/8" | 600 | 360 | 700 | 14085 | 11570 | 9310 | 7485 |
| | 703.0085.02 | R-6MR27.2X | 5.332 | 577.0114.00 (30L) | 7/8" | 800 | 360 | 795 | 16725 | 13510 | 10745 | 8400 |
| | 703.0090.02 | R-6GR31.3X | 5.755 | 577.0114.00 (30L) | 7/8" | 800 | 360 | 825 | 18860 | 15270 | 12195 | 9585 |
| | 703.0106.02 | R-8GR39.3X | 5.859 | 577.0114.00 (30L) | 7/8" | 800 | 360 | 825 | 24280 | 19740 | 15840 | 12540 |
| | 703.0116.02 | R-10GR50.3X | 5.937 | 577.0114.00 (30L) | 7/8" | 800 | 360 | 825 | 30370 | 24685 | 19815 | 15675 |
| | 703.0120.02 | R-12GR60.3X | 6.427 | 577.0114.00 (30L) | 7/8" | 800 | 360 | 825 | 38775 | 31825 | 25855 | 20795 |

Recomendamos incluir ventilador de culata para las instalaciones con condensador a distancia.
We recommend over head fan for remote condenser installations.

UNIDADES DE COMPRESIÓN (Compresor sobre recipiente) COMPRESSION UNITS (Compressor on receiver)



SEMIHERMÉTICOS
SEMI-HERMETIC

R-448A / R-404A / R449A / R407A / R407F / R407C

| | CÓDIGO CODE | UNIDAD COMP. COMPRESSOR UNIT | PVP RRP € | RECIPIENTE LÍQUIDO LIQUID RECEIVER (100%) L. | SALIDA RECIPIENTE OUT VALVE RECEI. | DIMENSIONES DIMENSIONS | | | Rendimientos T° Cond. +40C | | | |
|-----------------------------|----------------|---------------------------------|-------------------|--|---|---------------------------|---------------|----------------|----------------------------|-------|-------|-------|
| | | | | | | LARGO LENGTH | ANCHO WIDT | ALTO HEIGHT | -5°C | -10°C | -25°C | -35°C |
| | 703.0030.02 | R-2L9.2X | 3.676 | 577.9033.00 (15L) | 5/8" | 600 | 360 | 700 | 5947 | 4752 | 2093 | 904 |
| | 703.0031.02 | R-2L13.2X | 3.676 | 577.9033.00 (15L) | 5/8" | 600 | 360 | 700 | | | 3150 | 1420 |
| | 703.0035.02 | R-3L13.2X | 3.807 | 577.9033.00 (15L) | 5/8" | 600 | 360 | 700 | 8743 | 7005 | 2973 | 1412 |
| | 703.0038.02 | R-3L17.2X | 3.807 | 577.9033.00 (15L) | 5/8" | 600 | 360 | 700 | 11383 | 9152 | 4611 | 2232 |
| | 703.0036.02 | R-3L19.2X | 3.807 | 577.9033.00 (15L) | 5/8" | 600 | 360 | 700 | | | 5513 | 2844 |
| | 703.0055.02 | R-4L17.2X | 3.978 | 577.9033.00 (15L) | 5/8" | 600 | 360 | 700 | 12330 | 9948 | 4562 | 2216 |
| | 703.0056.02 | R-4L19.2X | 3.978 | 577.9033.00 (15L) | 5/8" | 600 | 360 | 700 | 13985 | 11267 | 5283 | 2664 |
| | 703.0057.02 | R-4L23.2X | 3.978 | 577.9033.00 (15L) | 5/8" | 600 | 360 | 700 | | | 6412 | 3408 |
| 703.0075.02 | R-5L23.2X | 4.249 | 577.9033.00 (15L) | 5/8" | 600 | 360 | 700 | 15903 | 12719 | 6190 | 3224 | |
| COMPR. REFR. GAS ASPIRACION | 703.0067.02 | R-4LR23.2X | 4.880 | 577.9033.00 (15L) | 5/8" | 600 | 360 | 700 | | | 6301 | 3332 |
| | 703.0081.02 | R-5LR23.2X | 5.105 | 577.9033.00 (15L) | 5/8" | 600 | 360 | 700 | 15597 | 12471 | 6080 | 3132 |
| | 703.0085.02 | R-6MR27.2X | 5.332 | 577.0114.00 (30L) | 7/8" | 800 | 360 | 795 | | 14595 | 6973 | 3644 |
| | 703.0100.02 | R-7MR27.2X | 5.474 | 577.0114.00 (30L) | 7/8" | 800 | 360 | 795 | 18107 | 14514 | 6717 | 3340 |
| | 703.0090.02 | R-6GR31.3X | 5.755 | 577.0114.00 (30L) | 7/8" | 800 | 360 | 825 | | | 7752 | 4020 |
| | 703.0105.02 | R-8GR31.3X | 5.859 | 577.0114.00 (30L) | 7/8" | 800 | 360 | 825 | 21044 | 16857 | 7611 | 3816 |
| | 703.0106.02 | R-8GR39.3X | 5.859 | 577.0114.00 (30L) | 7/8" | 800 | 360 | 825 | | | 10075 | 5192 |
| | 703.0115.02 | R-10GR39.3X | 5.937 | 577.0114.00 (30L) | 7/8" | 800 | 360 | 825 | 26442 | 21290 | 9805 | 5176 |
| | 703.0116.02 | R-10GR50.3X | 5.937 | 577.0114.00 (30L) | 7/8" | 800 | 360 | 825 | | | 13150 | 7144 |
| | 703.0125.02 | R-15GR50.3X | 6.427 | 577.0114.00 (30L) | 7/8" | 800 | 360 | 825 | 33752 | 27267 | 13040 | 6956 |
| | 703.0120.02 | R-12GR60.3X | 6.427 | 577.0114.00 (30L) | 7/8" | 800 | 360 | 825 | | | 16084 | 8636 |
| | 703.0130.02 | R-18GR60.3X | 6.975 | 577.0114.00 (30L) | 7/8" | 800 | 360 | 825 | 41024 | 33176 | 15761 | 8564 |

UNIDADES DE COMPRESIÓN COMPRESORES 4 CILINDROS V
(Compresor sobre recipiente)
COMPRESSION UNITS 4 CYLINDER COMPRESSORS V
(Compressor on receiver)



SEMIHERMÉTICOS
SEMI-HERMETIC

R-134a / R513A / R450A

| | CÓDIGO CODE | UNIDAD COMP. COMPRESSOR UNIT | PVP RRP € | RECIPIENTE LÍQUIDO LIQUID RECEIVER (100%) L. | SALIDA RECIPIENTE OUT VALVE RECEL. | DIMENSIONES DIMENSIONS | | | Rendimientos T° Cond.+40C | | | |
|---|-------------|------------------------------|-----------|--|------------------------------------|------------------------|------------|-------------|---------------------------|-------|-------|-------|
| | | | | | | LARGO LENGTH | ANCHO WIDT | ALTO HEIGHT | 5°C | 0°C | -5°C | -10°C |
| COMPRESORES REFRIGERADOS POR GAS ASPIRACIÓN | 703.0082.02 | R-5VLR26.4X | 5.434 | 577.9033.00 (15L) | 5/8" | 600 | 360 | 700 | 16106 | 13010 | 10347 | 8089 |
| | 703.0082.12 | R-5VLR29.4X | 5.434 | 577.9033.00 (15L) | 5/8" | 600 | 360 | 700 | 18063 | 14591 | 11605 | 9072 |
| | 703.0098.22 | R-7VLR33.4X | 5.713 | 577.9040.00 (20L) | 7/8" | 800 | 450 | 825 | 20894 | 17052 | 13735 | 10949 |
| | 703.0098.32 | R-7VLR38.4X | 5.713 | 577.9040.00 (20L) | 7/8" | 800 | 450 | 825 | 23794 | 19345 | 15523 | 12289 |
| | 703.0125.22 | R-15VR73.4X | 8.596 | 577.0114.00 (30L) | 7/8" | 800 | 450 | 825 | 45612 | 36847 | 29120 | 22524 |
| | 703.0140.02 | R-20VR83.4X | 8.596 | 577.0106.00 (60L) | 1 1/8" | 1100 | 450 | 886 | 51893 | 41813 | 33040 | 25573 |
| | 703.0150.02 | R-25VR93.4X | 8.813 | 577.0106.00 (60L) | 1 1/8" | 1100 | 450 | 886 | 58685 | 47352 | 37424 | 28991 |
| | 703.0145.12 | R-30VR118.4X | 8.917 | 577.0106.00 (60L) | 1 1/8" | 1100 | 450 | 886 | 76254 | 64465 | 48668 | 37655 |

R-448A / R-404A / R449A / R407A / R407F / R407C

| | CÓDIGO CODE | UNIDAD COMP. COMPRESSOR UNIT | PVP RRP € | RECIPIENTE LÍQUIDO LIQUID RECEIVER (100%) L. | SALIDA RECIPIENTE OUT VALVE RECEL. | DIMENSIONES DIMENSIONS | | | Rendimientos T° Cond.+40C | | | |
|---|-------------|------------------------------|-----------|--|------------------------------------|------------------------|------------|-------------|---------------------------|-------|-------|-------|
| | | | | | | LARGO LENGTH | ANCHO WIDT | ALTO HEIGHT | -5°C | -10°C | -25°C | -35°C |
| COMPRESORES REFRIGERADOS POR GAS ASPIRACIÓN | 703.0082.02 | R-5VLR26.4X | 5.434 | 577.9033.00 (15L) | 5/8" | 600 | 360 | 700 | | 14232 | 6938 | 3574 |
| | 703.0098.02 | R-7VLR26.4X | 5.434 | 577.9033.00 (15L) | 5/8" | 600 | 360 | 700 | 17799 | 14295 | 6931 | 3487 |
| | 703.0082.12 | R-5VLR29.4X | 5.434 | 577.9033.00 (15L) | 5/8" | 600 | 360 | 700 | | 15905 | 7637 | 3960 |
| | 703.0098.12 | R-7VLR29.4X | 5.434 | 577.9033.00 (15L) | 5/8" | 600 | 360 | 700 | 19466 | 15987 | 7522 | 3920 |
| | 703.0098.22 | R-7VLR33.4X | 5.713 | 577.9040.00 (20L) | 7/8" | 800 | 450 | 825 | 20845 | 16971 | 8230 | 4304 |
| | 703.0112.02 | R-10VLR33.4X | 5.998 | 577.9040.00 (20L) | 7/8" | 800 | 450 | 825 | 20981 | 17076 | 8186 | 4240 |
| | 703.0098.32 | R-7VLR38.4X | 5.713 | 577.9040.00 (20L) | 7/8" | 800 | 450 | 825 | | 19667 | 9531 | 5000 |
| | 703.0112.12 | R-10VLR38.4X | 5.998 | 577.9040.00 (20L) | 7/8" | 800 | 450 | 825 | 24126 | 19776 | 9509 | 4928 |
| | 703.0125.22 | R-15VR73.4X | 8.596 | 577.0114.00 (30L) | 7/8" | 800 | 450 | 825 | | | 17513 | 9480 |
| | 703.0135.02 | R-25VR73.4X | 8.813 | 577.0114.00 (30L) | 7/8" | 800 | 450 | 825 | 47669 | 37515 | 16512 | 8746 |
| | 703.0140.02 | R-20VR83.4X | 8.596 | 577.0106.00 (60L) | 1 1/8" | 1100 | 450 | 886 | | | 19822 | 10902 |
| | 703.0145.02 | R-30VR83.4X | 9.015 | 577.0106.00 (60L) | 1 1/8" | 1100 | 450 | 886 | 54187 | 42577 | 18750 | 10702 |
| | 703.0150.02 | R-25VR93.4X | 8.813 | 577.0106.00 (60L) | 1 1/8" | 1100 | 450 | 886 | | | 22468 | 12088 |
| | 703.0155.02 | R-35VR93.4X | 9.092 | 577.0106.00 (60L) | 1 1/8" | 1100 | 450 | 886 | 60899 | 47942 | 21068 | 11926 |
| | 703.0145.12 | R-30VR118.4X | 8.917 | 577.0106.00 (60L) | 1 1/8" | 1100 | 450 | 886 | | | 29146 | 16006 |
| | 703.0160.02 | R-40VR118.4X | 9.698 | 577.0106.00 (60L) | 1 1/8" | 1100 | 450 | 886 | 79634 | 62633 | 27568 | 14684 |



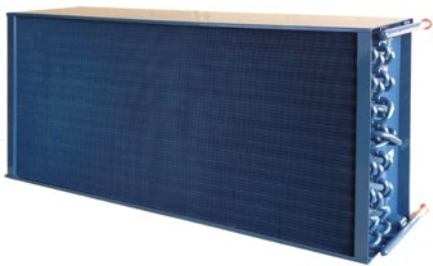
ACCESORIOS Y COMPONENTES

ACCESSORIES AND SPARE PARTS

PARA REPUESTOS DE COMPRESORES
CONSULTEN NUESTRA WEB

FOR COMPRESSOR SPARE PARTS
CHECK OUR WEBSITE

www.gelpha.com



CONDENSADORES HELICOIDALES

| MODELO MODEL | CÓDIGO CODE | PVP RRP € -VENT | PVP RRP € +VENT | DIMENSIONES MEASURES LxAxH | CAUDAL m³/h | CAPACIDAD CAPACITY AT 15K WATTS | MOTOVENTILADOR CON PALA Y PROTECCION MOTOR FAN WITH BLADE AND PROTECTION | | |
|-----------------|----------------|--------------------------|--------------------------|----------------------------------|----------------|--|---|-------------------------|-----------------|
| | | | | | | | POTEN. POWER W | VOLTAJE VOLTAGE V | PALA BLADE Ø |
| F1 | 066.0113.01 | 393 | 549 | 406x153x372 | 1.050 | 3.030 | 115 | 230 | 1 x Ø300 |
| E2 | 066.0112.01 | 529 | 793 | 715x157x330 | 1.840 | 5.000 | 115 | 230 | 2 x Ø300 |
| P2 | 066.0123.01 | 675 | 939 | 766x153x422 | 2.050 | 7.300 | 115 | 230 | 2 x Ø300 |
| G1 | 066.0114.01 | 591 | 890 | 716x178x470 | 2.950 | 8.000 | 160 | 230/400 | 1 x Ø400 |
| J1 | 066.0117.01 | 719 | 1.019 | 716x203x470 | 3.500 | 10.600 | 160 | 230/400 | 1 x Ø400 |
| K2 | 066.0127.01 | 754 | 1.267 | 875x180x418 | 3.900 | 10.000 | 140 | 230/400 | 2 x Ø350 |
| H2 | 066.0128.01 | 900 | 1.413 | 875x180x418 | 3.650 | 11.450 | 140 | 230/400 | 2 x Ø350 |
| L2 | 066.0129.01 | 1.120 | 1.634 | 1025x180x520 | 4.600 | 15.200 | 140 | 230/400 | 2 x Ø350 |
| Q2 | 066.0130.01 | 1.195 | 1.745 | 1025x215x520 | 6.000 | 18.000 | 160 | 230/400 | 2 x Ø400 |
| R2 | 066.0132.01 | 1.535 | 2.410 | 1190x245x622 | 7.000 | 24.000 | 620 | 230/400 | 2 x Ø450 |
| X4 | 566.0144.01 | 3.145 | 4.853 | 1250x245x1240 | 24.275 | 57.000 | 620 | 230/400 | 4 x Ø450 |
| T4 | 566.0143.01 | 4.111 | 5.780 | 1250x245x1540 | 21.020 | 73.600 | 620 | 230/400 | 4 x Ø450 |
| N2 | 066.0144.01 | 1.371 | 2.325 | 1250x245x620 | 12.136 | 28.500 | 620 | 230/400 | 2 x Ø450 |
| M2 | 066.0143.01 | 1.871 | 2.812 | 1250x245x770 | 10.510 | 36.800 | 620 | 230/400 | 2 x Ø450 |
| K3 | 066.0142.01 | 2.606 | 3.893 | 1850x245x620 | 15.187 | 50.100 | 620 | 230/400 | 3 x Ø450 |
| S2 | 066.2216.00 | - | 6.776 | 2600x600x760 | 23.300 | 96.600 | 2.500 | 230/400 | 2 x Ø630 |
| Y3 | 066.4311.00 | - | 7.796 | 2600x600x1110 | 37.800 | 116.300 | 3.750 | 230/400 | 3 x Ø630 |
| Z3 | 066.4312.00 | - | 9.162 | 2600x600x1110 | 34.500 | 142.600 | 3.750 | 230/400 | 3 x Ø630 |

CONDENSADORES CENTRÍFUGOS

| MODELO MODEL | CÓDIGO CODE | PVP RRP € +CUBO | DIMENSIONES MEASURES LxAxH | CAUDAL m³/h (5 mm) | CAPACIDAD CAPACITY AT 16° Kw (5mm) | SUPERF. SURFACE m² | VOL. INT. INT.VOL. dm³ |
|-----------------|----------------|--------------------------|----------------------------------|--------------------------|---|--------------------------|------------------------------|
| GPC-22 V | 066.0302.01 | 1.926 | 575x490x1300 | 3.075 | 6,7 | 9 | 1,8 |
| GPC-52 V | 066.0304.01 | 2.058 | 575x490x1300 | 2.625 | 10,0 | 18 | 3,6 |
| GPC-62 V | 066.0305.01 | 2.949 | 745x825x1550 | 3.300 | 12,9 | 31,2 | 6 |
| GPC-82 V | 066.0307.01 | 3.355 | 745x825x1550 | 6.650 | 19,6 | 31,2 | 6 |
| GPC-92 V | 066.0308.01 | 3.644 | 745x825x1550 | 6.250 | 24,5 | 46,8 | 9 |
| GPC-142 V | 066.0309.01 | 5.753 | 1345x825x1550 | 14.000 | 32,2 | 46,8 | 8,3 |
| GPC-152 V | 066.0310.01 | 4.857 | 1345x825x1550 | 13.300 | 38,8 | 62,4 | 11 |
| GPC-162 V | 066.0311.01 | 6.594 | 1345x825x1550 | 12.500 | 48,8 | 93,5 | 16,5 |
| GPC-192 | 066.0313.01 | 9.400 | 1945x825x1550 | 18.600 | 71,6 | 140,3 | 24,1 |
| GMC-23 | 066.0320.01 | 7.832 | 1880x845x1400 | 15.300 | 58,8 | 142 | 20,4 |
| GMC-33 | 066.0322.01 | 11.018 | 2780x2720x1400 | 22.950 | 88,2 | 214 | 30,2 |



KOBOL.



ABRIL 2024

APRIL 2024

EVAPORADORES ALTO RENDIMIENTO
CÚBICOS CR-CC y CÚBICOS INDUSTRIALES IRP-IFP

- Baterías aleadas - Tubo Cu Ø1/2" especificación CUPROCLIMA aletas AL corrugado
- Paso aleta 4,5 mm CR y 7 mm CC - 4 mm IRP y 10 mm IFP
- Chapa aleación Al 97,5% - Mg 2,5% alta resistencia corrosión
- Resistencias desescarce blindadas tubo acero INOX + toma tierra

| | Cámara Aisl. 80mm | evap.-5°C / amb.36°C | | Evaporador Modelo | Kw DT-8°C | Caudal m³/h | Vent. unit/ø | Sep. Aleta mm | Vol. dm³ | Sup. m² | PVP / RRP € |
|-------------------|-------------------|----------------------|---------|-------------------|-----------|-------------|--------------|---------------|----------|---------|-------------|
| | | R-404A | R-448A | | | | | | | | |
| MEDIA TEMPERATURA | 6 m³ | 1754 | 1703 | CR-18 | 2 | 1600 | 2 x 250 | 4,5 | 2,4 | 8,5 | 1.122 |
| | 12 m³ | 2564 | 2489 | CR-25 | 2,8 | 1500 | 1 x 315 | 4,5 | 2,8 | 13,8 | 1.299 |
| | 18 m³ | 3029 | 2941 | CR-32 | 3,5 | 2200 | 3 x 250 | 4,5 | 4,5 | 16,9 | 1.412 |
| | 22 m³ | 3983 | 3867 | CR-39 | 4,1 | 2825 | 1 x 350 | 4,5 | 5,2 | 18 | 1.650 |
| | 22 m³ | 3900 | 3786 | CR-39 | 4,1 | 2825 | 1 x 350 | 4,5 | 5,2 | 18 | 1.650 |
| | 26 m³ | 4386 | 4258 | CR-44 | 4,7 | 3500 | 2 x 315 | 4,5 | 5 | 18,4 | 1.822 |
| | 30 m³ | 4600 | 4466 | CR-44 | 4,7 | 3500 | 2 x 315 | 4,5 | 5 | 18,4 | 1.822 |
| | 38 m³ | 5330 | 5175 | CR-52 | 5,6 | 2870 | 2 x 315 | 4,5 | 7,5 | 24,1 | 2.065 |
| | 54 m³ | 7392 | 7177 | CR-79 | 8,4 | 5650 | 2 x 350 | 4,5 | 9,4 | 36,1 | 2.566 |
| | 90 m³ | 10812 | 10497 | IRP-87 | 10,8 | 5200 | 1 x 450 | 4 | 11 | 42 | 3.225 |
| | 120 m³ | 12251 | 11894 | CR-119 | 12,7 | 8450 | 3 x 350 | 4,5 | 12,8 | 54,1 | 3.757 |
| | 130 m³ | 13500 | 13107 | CC-114 | 15,9 | 8050 | 3 x 350 | 7 | 20 | 56,9 | 4.320 |
| | 130 m³ | 13300 | 12913 | CC-114 | 15,9 | 8050 | 3 x 350 | 7 | 20 | 56,9 | 4.320 |
| | 150 m³ | 15162 | 14720 | CC-114 | 15,9 | 8050 | 3 x 350 | 7 | 20 | 81,1 | 4.320 |
| | 210 m³ | 18095 | 17568 | IRP-174 | 21,7 | 10400 | 2 x 450 | 4 | 22 | 84 | 5.401 |
| | 240 m³ | 19839 | 19261 | IRP-174 | 21,7 | 10400 | 2 x 450 | 4 | 22 | 84 | 5.401 |
| 240 m³ | 19186 | 18627 | IRP-174 | 21,7 | 10400 | 2 x 450 | 4 | 22 | 84 | 5.401 | |
| 260 m³ | 22140 | 21495 | IRP-174 | 21,7 | 10400 | 2 x 450 | 4 | 22 | 84 | 5.401 | |
| 260 m³ | 21063 | 20450 | IRP-174 | 21,7 | 10400 | 2 x 450 | 4 | 22 | 84 | 5.401 | |

| | Cámara Aisl. 80mm | evap.-25°C / amb.36°C | | Evaporador Modelo | Kw DT-7°C | Caudal m³/h | Vent. unit/ø | Sep. Aleta mm | Vol. dm³ | Sup. m² | PVP / RRP € |
|--|-------------------|-----------------------|-----------|-------------------|-----------|-------------|--------------|---------------|----------|---------|-------------|
| | | R-404A | R-448A | | | | | | | | |
| BAJA TEMPERATURA (Resistencias desescarce) | 2 m³ | 759 | 672 | CC-9-E | 0,9 | 650 | 1 x 250 | 7 | 2,8 | 5,9 | 1.223 |
| | 4 m³ | 1295 | 1146 | CC-15-E | 1,5 | 1800 | 1 x 315 | 7 | 2,8 | 6,5 | 1.570 |
| | 4 m³ | 1220 | 1080 | CC-15-E | 1,5 | 1800 | 1 x 315 | 7 | 2,8 | 6,5 | 1.570 |
| | 4 m³ | 1152 | 1019 | CC-15-E | 1,5 | 1800 | 1 x 315 | 7 | 2,8 | 6,5 | 1.570 |
| | 8 m³ | 1718 | 1520 | CC-19-E | 2 | 2400 | 3 x 250 | 7 | 3,2 | 8,9 | 1.600 |
| | 6 m³ | 1562 | 1382 | CC-15-E | 1,5 | 1800 | 1 x 315 | 7 | 2,8 | 6,5 | 1.570 |
| | 6 m³ | 1612 | 1427 | CC-19-E | 2 | 2400 | 3 x 250 | 7 | 3,2 | 8,9 | 1.600 |
| | 8 m³ | 1887 | 1670 | CC-19-E | 2 | 2400 | 3 x 250 | 7 | 3,2 | 8,9 | 1.600 |
| | 12 m³ | 2320 | 2053 | CC-27-E | 2,7 | 2800 | 1 x 350 | 7 | 4,8 | 12,6 | 1.985 |
| | 10 m³ | 1989 | 1760 | CC-19-E | 2 | 2400 | 3 x 250 | 7 | 3,2 | 8,9 | 1.600 |
| | 10 m³ | 2182 | 1931 | CC-27-E | 2,7 | 2800 | 1 x 350 | 7 | 4,8 | 12,6 | 1.985 |
| | 12 m³ | 2220 | 1965 | CC-27-E | 2,7 | 2800 | 1 x 350 | 7 | 4,8 | 12,6 | 1.985 |
| | 20 m³ | 3200 | 2832 | CC-33-E | 3,3 | 3670 | 2 x 315 | 7 | 5 | 12,9 | 2.121 |
| | 20 m³ | 3190 | 2823 | CC-33-E | 3,3 | 3670 | 2 x 315 | 7 | 5 | 12,9 | 2.121 |
| | 16 m³ | 2650 | 2345 | CC-27-E | 2,7 | 2800 | 1 x 350 | 7 | 4,8 | 12,6 | 1.985 |
| | 45 m³ | 5417 | 4794 | CC-56-E | 5,5 | 5600 | 2 x 350 | 7 | 8,7 | 25,2 | 2.947 |
| | 35 m³ | 4579 | 4052 | CC-50-E | 4,9 | 5450 | 3 x 315 | 7 | 7,2 | 19,4 | 2.825 |
| | 35 m³ | 5455 | 4827 | CC-56-E | 5,5 | 5600 | 2 x 350 | 7 | 8,7 | 25,2 | 2.947 |
| | 45 m³ | 6150 | 5442 | CC-75-E | 7,2 | 5360 | 2 x 350 | 7 | 14 | 37,9 | 3.389 |
| | 45 m³ | 6125 | 5420 | CC-75-E | 7,2 | 5360 | 2 x 350 | 7 | 14 | 37,9 | 3.389 |
| | 50 m³ | 6325 | 5597 | CC-75-E | 7,2 | 5360 | 2 x 350 | 7 | 14 | 37,9 | 3.389 |
| | 70 m³ | 7450 | 6593 | CC-85-E | 8,4 | 8545 | 3 x 350 | 7 | 14 | 37,9 | 4.368 |
| | 70 m³ | 7450 | 6593 | CC-85-E | 8,4 | 8545 | 3 x 350 | 7 | 14 | 37,9 | 4.368 |
| | 90 m³ | 8940 | 7912 | CC-114-E | 10,8 | 8050 | 3 x 350 | 7 | 20 | 56,9 | 4.963 |
| | 90 m³ | 8490 | 7513 | CC-85-E | 8,4 | 8545 | 3 x 350 | 7 | 14 | 37,9 | 4.368 |
| | 85 m³ | 8017 | 7095 | CC-85-E | 8,4 | 8545 | 3 x 350 | 7 | 14 | 37,9 | 4.368 |
| | 75 m³ | 7976 | 7058 | CC-85-E | 8,4 | 8545 | 3 x 350 | 7 | 14 | 37,9 | 4.368 |
| | 80 m³ | 8747 | 7741 | CC-114-E | 10,8 | 8050 | 3 x 350 | 7 | 20 | 56,9 | 4.963 |
| 130 m³ | 11180 | 9894 | IFP-103-E | 11,2 | 11700 | 2 x 450 | 10 | 22 | 33,6 | 5.667 | |
| 105 m³ | 9963 | 8817 | CC-114-E | 10,8 | 8050 | 3 x 350 | 7 | 20 | 54,9 | 4.963 | |



La protección del futuro del compresor: monitorización del estado

Han pasado casi 50 años entre el primer dispositivo de protección del compresor KRIWAN, el INT69, y el miembro más joven de la serie de diagnósticos. La última generación de relés de protección del motor (Diagnóstico INT69) no solo protege de manera confiable las máquinas y los sistemas contra la sobrecarga térmica, sino que también guarda errores y estados y envía los datos a un servidor de datos central.

Monitoreo de condición

Forman la base para un monitoreo integral de la condición, desde el registro hasta la reacción a la posibilidad de evaluar los datos correspondientes.

Configuración inteligente - parametrización de dispositivos de protección

Los relés de protección del motor de última generación de KRIWAN son a prueba de manipulaciones y ajustables individualmente. Los parámetros de activación que determinan la función de protección individual se transfieren al software y se pueden configurar a través de una interfaz USB, en el espíritu de Industry 4.0. Esto hace que la protección del motor sea centralmente administrable y a prueba de manipulaciones.



INT69 - 22A460

Protección de motor basada en sensores PTC es una de las más efectivas y confiables medidas de protección.

AC 50/60HZ 24V 3VA -30 +70°C Relay AC 240V 2.5A C300

PVP / RRP
€

CONSULTAR



INT69 DIAGNOSE - 22A481

El módulo INT69 Diagnose es una versión superior del conocido protector para compresores KRIWAN. Incluye almacenaje y monitorización que ayudan a identificar las causas de posibles fallos de forma rápida y efectiva.

Voltaje dual AC 50/60HZ 115-230V +/-10% 3VA

CONSULTAR



INT275L CONTROL ÓPTICO DE NIVEL - 52S475S60+02K460S23

Control óptico de nivel de fluidos , el sistema para la detección sin contacto de límites de nivel está diseñado para instalación horizontal. El punto de medición está definido por la ubicación de instalación. La parte incorporada, pasiva de atornillado y la parte de evaluación electrónica juntas forman la solución para el control de nivel completo con el principio de medición óptica , sin componentes mecánicos propensos a errores.

CONSULTAR



DELTA-PII - 22S630S080 + 02D555

Los presostatos electrónicos aseguran que el aceite transportado en el eje sea suficiente. Ofrecen protección contra daños en superficies deslizantes o puntos de apoyo que amenazan si la presión de suministro de aceite es demasiado baja. La causa puede ser una mezcla espumosa de aceite / refrigerante o muy poco aceite.

CONSULTAR



INT-280 60bar - 52S581P031

El regulador de nivel de aceite INT280 controla y regula el nivel de aceite. Se utiliza en sistemas compuestos con compresores alternativos o compresores scroll y, a través de la reposición activa de aceite de un depósito de aceite común, elimina los problemas de engrase. Este sistema asegura un funcionamiento confiable y una larga vida útil del compresor. Como función de protección adicional, el sistema tiene una alarma con apagado del compresor.

CONSULTAR



Los modernos controladores de punto de refrigeración ya no solo regulan los compresores, componentes y procesos (descongelación, luces, ventiladores), sino que también se hacen cargo de la adquisición de datos como el centro del sistema y la alarma en caso de errores y fallos de funcionamiento.

INT600 DU GATEWAY - 02S365S21

Cable de conexión INTspecter smartphone y/o tableta android. Conector USB estándar (tipo A)

CONSULTAR



Cable adaptador INT69 02S366/02S370

CONSULTAR

TODOS LOS MODELOS DE LA MARCA DISPONIBLES - CONSULTEN PRECIOS Y DISPONIBILIDAD



VARIADORES DE FRECUENCIA FREQUENCY CONVERTERS

GEL
GELPHA

Gelphametic

ABRIL 2024

APRIL 2024



| COMPRESOR HT | POTENCIA Kw | PROTECCIÓN IP | VOLTAGE V | MODELO VARIADOR | INT. SALIDA AMPS. | FILTRO FILTER | TAMAÑO SIZE(mm) | PESO WEIGHT (Kg) | PVP / RRP € |
|--------------|-------------|---------------|-----------|----------------------|-------------------|---------------|-----------------|------------------|-------------|
| 0,75 - 1 CV | 0,75 Kw | IP-20 | 220V III | ODV-3-220043-3F12-SN | 4,3A | SI | 221x110x185 | 1,8 | 995 |
| 1,5 - 2 CV | 1,5 Kw | IP-20 | 220V III | ODV-3-220070-3F12-MN | 7A | SI | 221x110x185 | 1,8 | 1.025 |
| 3 CV | 2,2 Kw | IP-20 | 220V III | ODV-3-220105-3F12-SN | 10,5A | SI | 221x110x185 | 1,8 | 1.245 |
| 4 -5 CV | 4Kw | IP-20 | 220V III | ODV-3-320180-3F12-SN | 18A | SI | 261x131x205 | 3,5 | 1.975 |
| 7,5 CV | 5,5 Kw | IP-20 | 220V III | ODV-3-320240-3F12-SN | 24A | SI | 261x131x205 | 3,5 | 2.155 |
| 0,75 - 1 CV | 0,75 Kw | IP-20 | 380V III | ODV-3-240022-3F12-MN | 2,2A | SI | 221x110x185 | 1,8 | 925 |
| 1,5 - 2 CV | 1,5 Kw | IP-20 | 380V III | ODV-3-240041-3F12-MN | 4,1A | SI | 221x110x185 | 1,8 | 995 |
| 3 CV | 2,2 Kw | IP-20 | 380V III | ODV-3-240058-3F12-MN | 5,8A | SI | 221x110x185 | 1,8 | 1.025 |
| 4 -5 CV | 4Kw | IP-20 | 380V III | ODV-3-240095-3F12-MN | 9,5A | SI | 221x110x185 | 1,8 | 1.230 |
| 7,5 CV | 5,5 Kw | IP-20 | 380V III | ODV-3-340140-3F12-MN | 14A | SI | 261x131x205 | 3,5 | 1.755 |
| 10CV | 7,5 Kw | IP-20 | 380V III | ODV-3-340180-3F12-MN | 18A | SI | 261x131x205 | 3,5 | 1.975 |
| 15 CV | 11 Kw | IP-20 | 380V III | ODV-3-340240-3F12-MN | 24A | SI | 261x131x205 | 3,5 | 2.155 |
| 7,5 CV | 5,5 Kw | IP-55 | 220V III | ODV-3-320240-3F1A-MN | 24A | SI | 310x211x225 | 8,5 | 2.875 |
| 10 CV | 7,5 Kw | IP-55 | 220V III | ODV3-420300-3F1N-TN | 30A | SI | 440x173x230 | 11,5 | 3.915 |
| 15 CV | 11 Kw | IP-55 | 220V III | ODV3-420460-3F1N-TN | 46A | SI | 440x173x230 | 11,5 | 4.235 |
| 20 CV | 15 Kw | IP-55 | 220V III | ODV-3-520610-3F1N-TN | 61A | SI | 540x235x270 | 23 | 5.105 |
| 25 CV | 18,5 Kw | IP-55 | 220V III | ODV3-520720-3F1N-TN | 72A | SI | 540x235x270 | 23 | 5.295 |
| 30CV | 22 Kw | IP-55 | 220V III | ODV3-520900-3F1N-TN | 90A | SI | 540x235x270 | 23 | 7.215 |
| 40 CV | 30 Kw | IP-55 | 220V III | ODV3-621100-3F1N-TN | 110A | SI | 865x330x330 | 55 | 9.725 |
| 15 CV | 11 Kw | IP-66 | 380V III | ODV-3-340240-3F1A-MN | 24A | SI | 310x211x273 | 8,5 | 2.875 |
| 20CV | 15 Kw | IP-55 | 380V III | ODV-3-440300-3F1NT | 30A | SI | 450x171x252 | 12 | 3.565 |
| 25 CV | 18,5 Kw | IP-55 | 380V III | ODV-3-440390-3F1NT | 39A | SI | 450x171x252 | 12 | 3.915 |
| 30 CV | 22 Kw | IP-55 | 380V III | ODV-3-440460-3F1NT | 46A | SI | 450x171x252 | 12 | 4.235 |
| 40 CV | 30 Kw | IP-55 | 380V III | ODV-3-540610-3F1N-MN | 61A | SI | 540x235x270 | 23 | 5.105 |

VENTILADORES CON PALA DE PROTECCIÓN
MOTOR FANS WITH BLADE AND PROTECTION

| CÓDIGO CODE | PVP RRP € | POTEN. POWER W | VOLTAJE VOLTAGE V | PALA BLADE Ø |
|----------------|-----------------|----------------------|-------------------------|--------------------|
| 574.0218.02 | 120 | 115 | 230 | 300 |
| 050.0039.02 | 235 | 140 | 230/400 | 350 |
| 050.0043.03 | 275 | 160 | 230/400 | 400 |
| 050.0044.00 | 425 | 620 | 230/400 | 450 |



ACEITES LUBRICANTES COMPATIBLES
COMPATIBLE LUBRICANTS

| CÓDIGO CODE | ACEITE OIL | PVP ENVASE RRP BOTTLE € | TIPO ACEITE OIL TYPE | Viscosidad a cST 40°C | REFRIGERANTES REFRIGERANT |
|----------------|--------------------------------|-------------------------------|-------------------------|--------------------------|------------------------------|
| 905.0008.05 | FUCHS RENISO T. SE-55 (5 LTS) | 235 | POLIOLESTER | 52,5 | HFC / HFO |
| 905.0008.01 | SUNOIL SUNISO 3,5 GS (5 LTS) | 85 | MINERAL | 30 | CFC / HCFC |
| 905.0008.04 | SUNOIL SUNISO SL -46 (4 LTS) | 145 | POLIOLESTER | 48,2 | HFC / HFO |
| 905.0008.08 | SUNOIL SUNISO AKB -32 (20 LTS) | 135 | ALQUILBENC | 46 | CFC/ HCFC / NH3 |



RECIPIENTES DE LÍQUIDO LIQUID RECEIVERS

| VOLUMEN VOLUME | ENTRADA INLET | SALIDA OUTLET | TIPO TYPE | CÓDIGO CODE | PVP RRP € |
|-------------------|------------------|------------------|--------------|----------------|-----------------|
| 3 | 3/8" | 3/8" | V | 577.0138.00 | 190 |
| 5.2 | 3/8" | 3/8" | V | 577.0102.00 | 215 |
| 7.1 | 3/8" | 3/8" | V | 577.0115.00 | 240 |
| 11.1 | 1/2" | 1/2" | V | 577.0103.00 | 295 |
| 15 | 7/8" | 5/8" | V | 577.0104.00 | 335 |
| 30 | 7/8" | 7/8" | H | 577.0114.00 | 1.150 |
| 60 | 1 1/8" | 1 1/8" | H | 577.0106.00 | 1.585 |

Todos los recipientes incorporan válvula de seguridad y tuerca frigorífica cápsula cierre.

All liquid receivers with safety valve and refrigeration nut included.



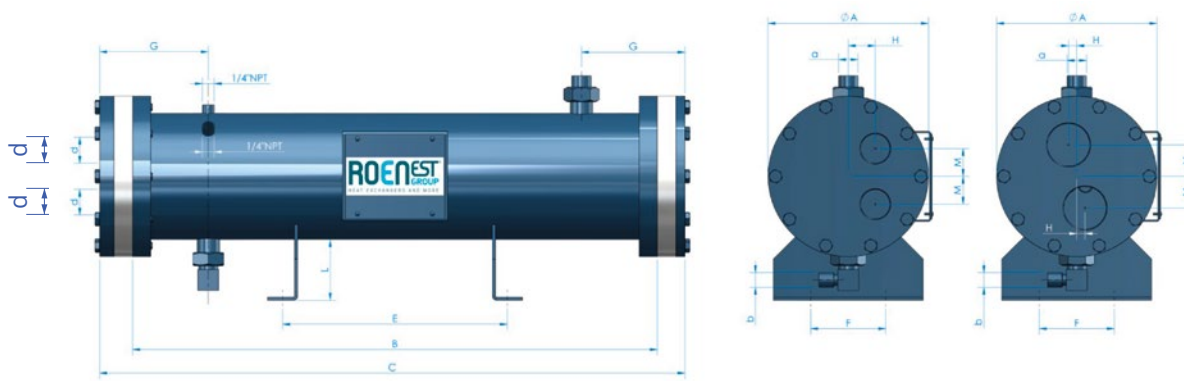
CONDENSADORES MULTITUBULARES WATER HEAT EXCHANGERS

| MODELO MODEL | ENTRADA INLET (a) | SALIDA OUTLET (b) | H ₂ O (d) | Vol. Ref. dm ³ | Vol H ₂ O dm ³ | (C) x (ØA) | CÓDIGO CODE | PVP RRP € |
|-------------------------|-------------------------|-------------------------|-------------------------|------------------------------|--|-------------|----------------|-----------------|
| RX.168.1.700.4.DN40.1A | ODS22 | 1"1/4 | 1"1/2 | 12,7 | 0,8 | 776 x Ø214 | 577.0140.00 | 2.665 |
| RX.168.1.700.4.DN40.1C | ODS22 | 1"1/4 | 1"1/2 | 12,3 | 1 | 776 x Ø214 | 577.0141.00 | 3.115 |
| RX.168.1.700.2.DN50.1D | ODS22 | 1"1/4 | 2" | 11,6 | 1,5 | 776 x Ø214 | 577.0142.00 | 3.335 |
| RX.168.1.1400.2.DN50.1D | ODS35 | 1"1/4 | 2" | 25,3 | 1,8 | 1478 x Ø214 | 577.0143.00 | 4.000 |
| RX.168.1.1400.2.DN50.1E | ODS35 | 1"1/4 | 2" | 22,5 | 4,6 | 1478 x Ø214 | 577.0144.00 | 4.215 |
| RX.168.1.1400.2.DN50.1F | ODS35 | 1"1/4 | 2" | 20,9 | 5,8 | 1478 x Ø214 | 577.0146.00 | 4.445 |

Condensadores multitubulares ROEN. Cabezal, placa tubular, camisa, conexiones frigoríficas e hidráulicas de acero al carbono. Tubos de intercambio térmico de cobre. Guarniciones planas y o-ring sin amianto. Pernos de acero de elevada resistencia.

Incluyen: soportes para el compresor, válvula de seguridad, válvula rotalock y tuerca correspondiente. Opcional: tratamiento marino.

Tube condensers. Including: compressor fixings, safety valve and rotalock valve.



| DENOMINACIÓN | CÓDIGO | NO MONTADO EN FABRICA € | MONTADO EN FABRICA € |
|---|--|-------------------------|----------------------|
| PRESOSTATO DIFERENCIAL DE ACEITE (Compresores mod. LR-VLR -MR -GR) OIL PRESURE DIFFERENTIAL CONTROL (Compressors mod. LR-VLR -MR -GR) | 585.0006.00 | 375 | 435 |
| PRESOSTATO DIFERENCIAL DE ACEITE Electrónico KRIWAN DELTA P-II 22S630S080 + 02D555 (Compressors mod. VR) | 085.0006.10 | 335 | 365 |
| RESISTENCIA CALEFACTORA DE CÁRTER Compresores mod. K (60W) CRANKCASE HEATER Compressors mod. K (60W) | 518.0104.02 | 90 | 110 |
| RESISTENCIA CALEFACTORA DE CÁRTER Compresores mod. L - LR - MR - GR - VLR - VR (100W) CRANKCASE HEATER Compressors mod. L - LR - MR - GR - VLR - VR (100W) | 518.0104.01 | 100 | 120 |
| VENTILADOR DE CULATA Ø300 (incluye soportes, espárragos y retilla) Para todos los modelos OVERHEAD FAN Ø300 All models | K 574.0220.01 / L 574.0220.00 MR-574.0220.02 / GR 574.0221.00 VR -574.0222.00 / VLR -574.0222.01 | 305 | 305 |
| KIT AGUA REFRIGERACION DE COMPRESORES MOD. K - L WATER COOLING KIT FOR COMPRESSORS MOD. K - L | K -528.0103.00 L -528.0104.00 | | 395 |
| KIT ELECTRÓNICO DE INYECCIÓN DE LÍQUIDO Con módulo electr. de control, sonda de temp., solenoide, capilar inyector y tubos de conexión ELECTRONIC LIQUID INJECTION KIT With electronic control module, temp. Sounding, sol. Valve, capillary inj. and connection tubes | 585.0017.00 | 1.035 | 1.210 |
| ARRANQUE DESCARGADOR (BY -PASS) UNLOADED START KIT (BY -PASS) | 000.1011.00 | 485 | 515 |
| PRESOSTATO DE ALTA Y BAJA (con rearme automático) PRESSURE CONTROL HP/LP DUAL SWITCH (Automatic reset) | 585.0006.01 | 250 | 275 |
| FILTRO DESHIDRATADOR Y VISOR DE LÍQUIDO Para líneas de líquido de 3/8" DRIER AND SIGHTGLASS Liquid line 3/8" | 513.0083.38 | - | 165 |
| FILTRO DESHIDRATADOR Y VISOR DE LÍQUIDO Para líneas de líquido de 1/2" DRIER AND SIGHTGLASS Liquid line 1/2" | 513.0164.12 | - | 175 |
| FILTRO DESHIDRATADOR Y VISOR DE LÍQUIDO Para líneas de líquido de 5/8" DRIER AND SIGHTGLASS Liquid line 5/8" | 513.0305.58 | - | 195 |
| FILTRO DESHIDRATADOR Y VISOR DE LÍQUIDO Para líneas de líquido de 7/8" DRIER AND SIGHTGLASS Liquid line 7/8" | 513.0307.78 | - | 235 |
| PRESOSTATO DE ALTA // BAJA PRESSURE CONTROL HP // LP | A-585.0006.02 B-585.0006.03 | 95 | 155 |
| CONTROL DE CAPACIDAD VR CAPACITY CONTROL VR | 585.0025.10 | - | 695 |
| REGULADOR ELECTRÓNICO NIVEL ACEITE TK3 + TRANSF. E230/24V ELECTRONIC OIL LEVEL REGULATOR TK3 + TRANSF. E230/24V | 085.0022.03 + 085.0023.01 | 690 | 775 |
| PROTECTOR KRIWAN INT69 DIAGNOSE 22A481 (Compresores mod.VR y otros bajo demanda) KRIWAN INT69 DIAGNOSE PROTECTION 22A481 (Compressors mod.VR and other by request) | 085.0026.01 | 295 | 305 |

CONDICIONES GENERALES DE VENTA

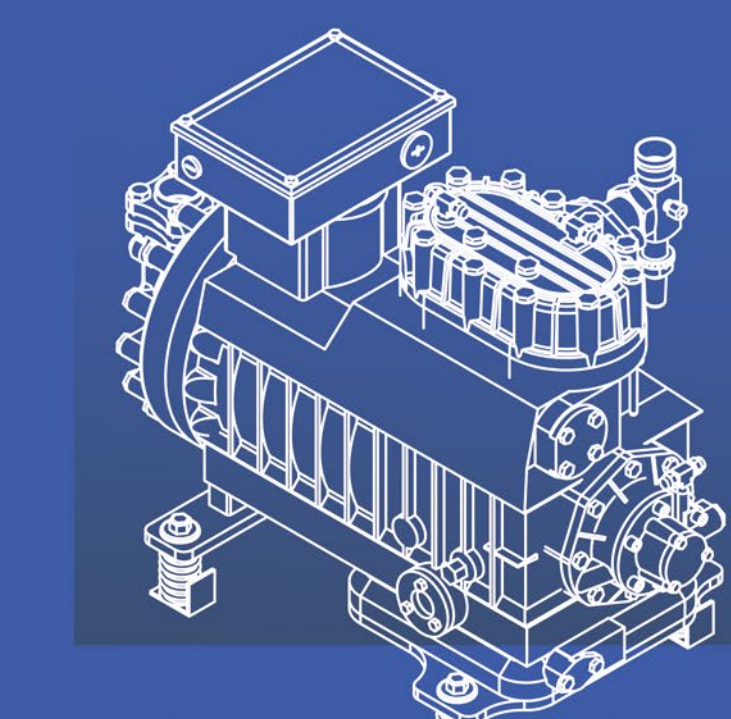
1. El comprador acepta las siguientes **CONDICIONES GENERALES DE VENTA** por el solo hecho de cursarnos su pedido.
2. Cualquier condición consignada por el comprador en su pedido, que no se adapte a nuestras condiciones generales de venta, se considerará nula, salvo que sean aceptadas expresamente por escrito.
3. Los compresores nuevos y unidades condensadoras se entregarán a portes pagados en Península y Baleares salvo casos especiales. Los demás productos –accesorios, repuestos, condensadores, etc.- se entregarán a portes debidos o bien cargados en factura si así lo solicita el cliente. Las posibles incidencias o daños que pudieran presentar las mercancías fruto de una mala manipulación por parte de nuestras agencias de transporte deberá ser notificada dentro de las 24h posteriores a la recepción de la mercancía, fuera de ese plazo no se aceptarán reclamaciones. No se aceptarán cargos de ningún tipo por deficiencias del transporte.
4. En general los embalajes van incluidos en los precios, salvo productos especiales en cuyo caso se detallarán las condiciones en el presupuesto pertinente.
5. Para aquellas mercancías que se observe algún defecto de fabricación, la reclamación deberá hacerse dentro del plazo de 6 días a partir de la fecha de recepción de la misma, debiéndose efectuar la reclamación inexcusablemente por escrito. Transcurrido este plazo no tendrán ningún tipo de validez las reclamaciones del comprador.
6. Los pagos de nuestras mercancías se considerarán siempre al contado. En el caso de que se concedan créditos al comprador, deberán hacerse efectivos en los plazos estipulados, sin que esto quiera decir que renunciamos a la condición primera. La propiedad de la mercancía será de nuestro dominio, no cambiando su titularidad hasta finalizar el pago total de la misma.
7. Los efectos que resulten impagados a su vencimiento se verán afectados con los gastos bancarios, y devengando además un 2,5% mensual contado desde el día del vencimiento hasta la liquidación de la deuda.
8. Los pedidos inferiores a 250 euros se realizarán al contado, si bien en los casos excepcionales en que se conceda crédito, se podrá requerir que el pago correspondiente se realice dentro de los 30 días siguientes de la entrega de la mercancía.
9. El fabricante garantiza sus productos contra todo defecto de fabricación, por un plazo máximo de 12 meses, comprometiéndose a su reposición o reparación, entendiéndose que la garantía no cubre ningún tipo de gasto que pueda haber sido originado por avería del producto, tal como mano de obra, desplazamientos, pérdida de refrigerante, etc., y en cualquier caso, los materiales deberán enviarse a nuestros almacenes a portes pagados, debidamente embalados. En el caso de una reparación efectuada en la empresa, la garantía será de 6 meses, tan solo de los materiales que se hubieran substituido en el momento de la misma, no aplicándose a materiales no substituidos en la primera reparación. Se aplicará el mismo sistema de no cubrir ningún tipo de gasto adicional externo que se pudiera producir.
10. Si la etiqueta de identificación del compresor o la unidad condensadora ha desaparecido, automáticamente se considera fuera del período de garantía. Hacer siempre referencia al número de esta etiqueta para cualquier consulta.
11. Por el solo hecho de pasarnos sus pedidos, el cliente se somete expresamente a la jurisdicción de los jueces y Tribunales del domicilio social de la empresa suministradora, con renuncia expresa a su propio fuero.
12. **INDUSTRIAL I COMERCIAL IMOV 17, S.L.** se reserva el derecho de modificar sus productos sin previo aviso.

GENERAL SALES TERMS

1. The purchaser, by placing an order, accepts following **GENERAL SALES TERMS**.
2. Any condition included by the purchase in the which does not conform to our general sales terms shall be considered null and void, unless expressly accepted in writing.
3. Goods are understood to be collected from our warehouses or distribution centres, carriage charges are not included and we are not required to deliver them to the customer's premises; our responsibility for said goods ends as from the time at which they are placed at the forwarder's disposal. No complaints or liabilities will be accepted for improper transportation.
4. As a rule, packaging are included in the prices, unless expressly stated so in our rates.
5. In the event of goods which present manufacturing defects, complaint must be lodged within 6 days as from the date of collection and must in all cases be submitted in writind. Thereafter, no complaint by the purchase shall be deemed valid.
6. Payment for goods must be in advance. In case the customer is given credit, paymetn shall be settled on the agreed dates, without refusing first condition. The goods shall remain our property until total payment of same has been completed.
7. Unpaid drafts, on falling due, will be subject to bank charges in addition to 2.5% per month as from the date until settlement of outstanding amount.
8. Orders of less than 250€ will be on a cash basis, and when in exceptional cases credit is given, payment shall be made withim the 30 days follwing delivery of the goods.
9. The manufacturer guarantees its products against any fault for maximum period of 12 month and undertakes to replace or repair same. Such guarantee does not cover any expense caused by the fault, such as labour, travel, loss of cooland, etc and said materils should be sent to our premises carriage paid and duly packed. 6 months guarantee for reparings in our plant, only for components replaced in that moment; guarantee will not apply for replaced components on previous reparings. Same system will apply for any external expense that APRIL arise.
10. Removal of the warranty number label from a compressor or condensing unit automatically invalidates the warranty. Please quote this number on any correspondence.
11. The fact of placing an order means the customer expressly accepts the jurisdiction of the judges and Courts of the head office of the supplier, expressly waiving his jurisdiction.
12. **INDUSTRIAL I COMERCIAL IMOV 17, S.L.** reserves the right to alter its products without notice.

GELPHA[®] PARTS[®]

INDUSTRIAL I COMERCIAL IMOV 17, S.L.
Pol. Ind. Pont-Xetmar, Calle N, nº 16-18
C.P.: 17844 Cornellà del Terri (Girona) SPAIN
Tel. +(34)972 59 61 16
comercial@gelpha.com
www.gelpha.com



 **GEL**
GELPHA

Gelphametic

INDUSTRIAL I COMERCIAL IMOV 17, S.L.

Pol. Ind. Pont-Xetmar, Calle N, nº 16-18

C.P.: 17844 Cornellà del Terri (Girona) SPAIN

Tel. +(34) 972 596 116

comercial@gelpha.com

www.gelpha.com