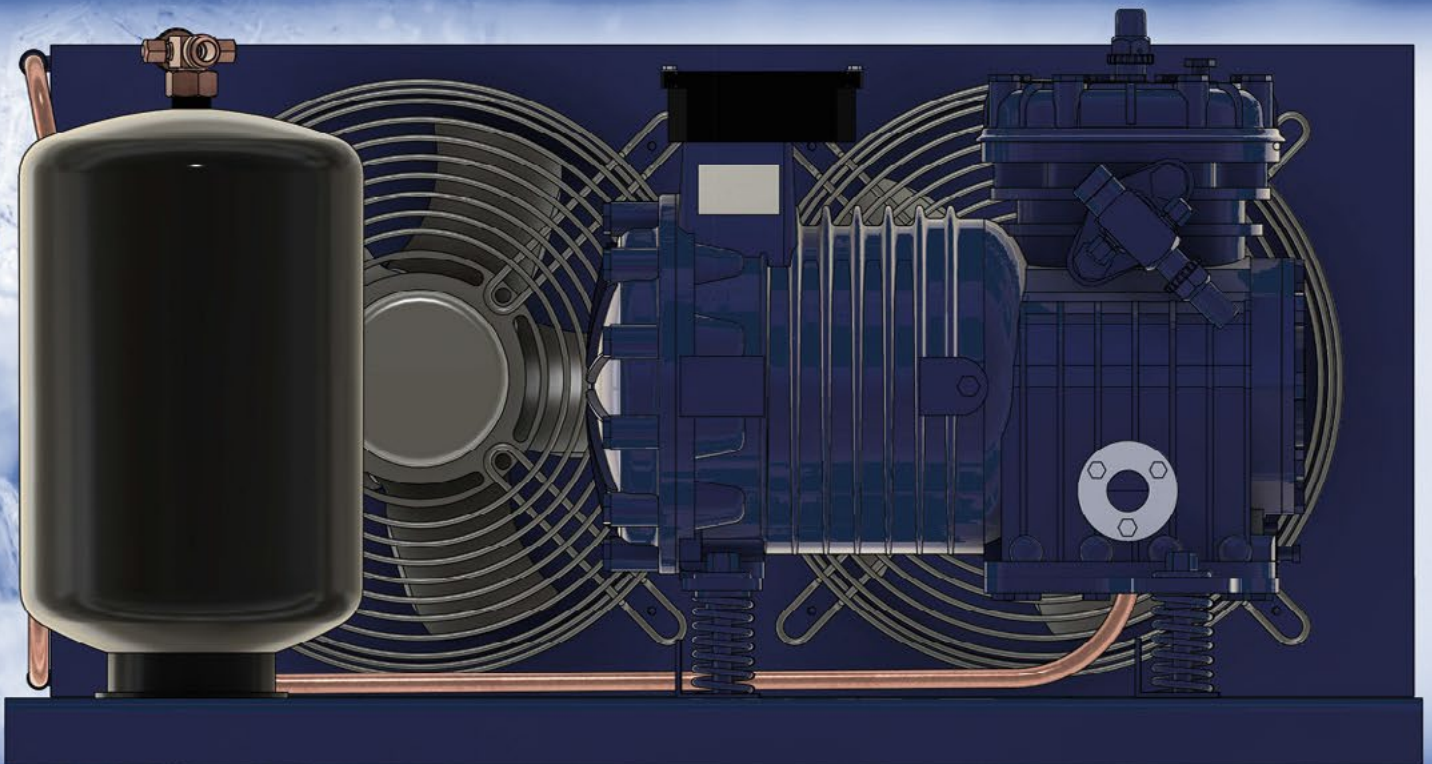


GEL[®]
GELPHA

Gelphametic



GEL
GELPHA



HFC

A2L

➤ R455A ➤ R454C



ECOFRIENDLY

CATÁLOGO TARIFA
CATALOGUE

2025 | ABRIL
APRIL

CONTENIDO

COMPRESORES SEMIHERMÉTICOS	
MEDIA-ALTA TEMPERATURA R-134a / R513A / R450A	4
MEDIA-BAJA TEMPERATURA R-404A / R-448A / R449A / A2L	5
MEDIA-BAJA TEMPERATURA R-404A / R-507A / R-448A	6
4 CILINDROS MEDIA-BAJA TEMPERATURA R-404A / R-407A-C / R-448A / R449A	7
UNIDADES CONDENSADORAS AIRE HELICOIDALES	
MEDIA-BAJA TEMPERATURA R-404A / R-448A / R449A / A2L	9
MEDIA-ALTA TEMPERATURA R-134a / R513A / R450A	10
(VLR, VR) R-134a / R-404A / R-407A-C / R-448A / R449A	11
U.CONDENSADORAS CARROZADAS INBOX - NOVEDAD!	12
U.CONDENSADORAS CARROZADAS INBOX - NOVEDAD!	13
UNIDADES CONDENSADORAS AGUA	
(K, L, LR, MR, GR) R-134a / R513A / R450A	15
(K, L, LR, MR, GR) R-404A / R-407A-C / R-448A / R449A	16
(VLR, VR) R-134a - R-404A / R-407A-C / R-448A / R449A	17
UNIDADES CONDENSADORAS AIRE CENTRIFUGAS	
(K, L, LR, MR, GR) R-134a - R-404A / R-407A-C / R-448A / R449A	19
(VLR, VR) R-134a - R-404A / R-407A-C / R-448A / R449A	20
UNIDADES DE COMPRESION (SOBRE RECIPIENTE)	
(K, L, LR, MR, GR) R-134a / R513A / R450A	22
(K, L, LR, MR, GR) R-404A / R-407A-C / R-448A / R449A	23
(VLR, VR) R-134a - R-404A / R-407A-C / R-448A / R449A	24
COMPONENTES FRIGORÍFICOS Y ACCESORIOS	
CONDENSADORES HELICOIDALES Y CENTRÍFUGOS	26
EVAPADORES CÚBICOS COMERCIALES	27
PROTECTORES DE MOTOR Y OTROS DISPOSITIVOS	28
VARIADORES DE FRECUENCIA Y LUBRICANTES	29
VENTILADORES	30
RECIPIENTES DE LÍQUIDO Y CONDENSADORES MULTITUBULARES	31
EXTRAS Y ACCESORIOS	32
ACLARACIONES Y CONDICIONES GENERALES DE VENTA	33

CONTENTS

SEMI-HERMETIC COMPRESSORS	
MEDIUM-HIGH TEMPERATURE R-134a / R513A / R450A	4
MEDIUM-LOW TEMPERATURE R-404A / R-448A / R449A / A2L	5
MEDIUM-LOW TEMPERATURE R-404A / R-407A-C / R-448A / R449A	6
(VLR, VR) R-134a / R-404A / R-407A-C / R-448A / R449A	7
HELICOIDAL AIR COOLED CONDENSING UNITS	
MEDIUM-LOW TEMPERATURE R-404A / R-407A-C / R-448A / R449A	9
MEDIUM-HIGH TEMPERATURE R-134a / R513A / R450A	10
(VLR, VR) R-134a / R-404A / R-407A-C / R-448A / R449A	11
INBOX CONDENSING UNITS - NEW!	12
INBOX CONDENSING UNITS - NEW!	13
WATER COOLED CONDENSING UNITS	
(K, L, LR, MR, GR) R-134a / R513A / R450A	15
(K, L, LR, MR, GR) R-404A / R-407A-C / R-448A / R449A	16
(VLR, VR) R-134a - R-404A / R-407A-C / R-448A / R449A	17
CENTRIFUGAL AIR COOLED CONDENSING UNITS	
(K, L, LR, MR, GR) R-134a - R-404A / R-407A-C / R-448A / R449A	19
(VLR, VR) R-134a - R-404A / R-407A-C / R-448A / R449A	20
COMPRESSOR UNITS (COMPRESSOR ON RECEIVER)	
(K, L, LR, MR, GR) R-134a / R513A / R450A	22
(K, L, LR, MR, GR) R-404A / R-407A-C / R-448A / R449A	23
(VLR, VR) R-134a - R-404A / R-407A-C / R-448A / R449A	24
REFRIGERATION COMPONENTS AND ACCESSORIES	
AXIAL AND CENTRIFUGAL CONDENSERS	26
CUBIC EVAPORATORS-COOLERS	27
MOTOR PROTECTOR MODULES AND OTHER DEVICES	28
FREQUENCY CONVERTERS AND LUBRICANTS	29
MOTOR FANS	30
LIQUID RECEIVERS AND WATER HEAT EXCHANGERS	31
EXTRAS AND ACCESSORIES	32
SALES CONDITIONS	33



COMPRESORES SEMIHERMÉTICOS SEMIHERMETIC COMPRESSORS

WATT (50 Hz)
R-134a/ R-513A / R-450A

Condiciones de Cálculo: Gas de aspiración 25°C, sin subenfriamiento de líquido.
Rating conditions: Suction return gas 25°C, without liquid subcooling.

	CÓDIGO CODE	MODELO MODEL	PVP RRP €	MOTOR MOTOR H.P.	DESPLAZ. DISPLAC. m³/h	LINEA ASP. SUCTION LINE Ø	LINEA COMPR. DISC. LINE Ø	Rendimientos T° Cond.+40°C			
								5°C	0°C	-5°C	-10°C
COMP. REFR. POR AIRE	501.0011.02	07K5.2X	1.883	0,75	4,92	5/8"	3/8"	2930	2390	1925	1525
	501.0016.02	1K7.2X	1.907	1	6,43	5/8"	1/2"	3875	3165	2550	2025
	501.0021.02	1,5K8.2X	1.936	1.5	7,43	5/8"	1/2"	4365	3575	2890	2310
	501.0022.02	1,5K9.2X	1.936	1.5	9,06	5/8"	1/2"	5365	4390	3555	2845
	501.0026.02	2K9.2X	2.062	2	9,06	5/8"	1/2"	5420	4435	3590	2870
	501.0031.02	2L13.2X	2.800	2	12,87	7/8"	1/2"	7680	6255	5040	4010
	501.0036.02	3L19.2X	2.881	3	19,43	1 1/8"	5/8"	12070	9855	7955	6330
	501.0057.02	4L23.2X	3.046	4	22,52	1 1/8"	5/8"	14220	11680	9500	7635
COMP. REFR. GAS ASP.	501.0067.02	4LR23.2X	3.742	4	22,52	1 1/8"	5/8"	14085	11570	9310	7485
	501.0082.02	5VLR26.4X	4.142	5	25,70	1 1/8"	7/8"	16106	13010	10347	8089
	501.0085.02	6MR27.2X	5.239	5	26,65	1 3/8"	7/8"	16725	13510	10745	8400
	501.0082.12	5VLR29.4X	4.142	5	29,00	1 1/8"	7/8"	18063	14591	11605	9072
	501.0090.02	6GR31.3X	5.396	5	31,08	1 3/8"	7/8"	18860	15270	12195	9585
	501.0102.02	7MR32.2X	5.295	7.5	32,00	1 3/8"	1 1/8"	20285	16555	13335	10630
	501.0098.22	7VLR33.4X	4.558	7,5	33,00	1 1/8"	7/8"	20894	17052	13735	10949
	501.0098.32	7VLR38.4X	4.558	7,5	38,20	1 3/8"	7/8"	23794	19345	15523	12289
	501.0106.02	8GR39.3X	5.449	7.5	39,02	1 3/8"	1 1/8"	24280	19740	15840	12540
	501.0116.02	10GR50.3X	5.536	10	49,88	1 3/8"	1 1/8"	30370	24685	19815	15675
	501.0120.02	12GR60.3X	6.049	12.5	60,28	1 3/8"	1 1/8"	38775	31825	25855	20795
	501.0125.22	15VR73.4X	8.248	15	70,68	1 5/8"	1 1/8"	45612	36847	29120	22524
	501.0140.02	20VR83.4X	8.236	20	80,36	2 1/8"	1 1/8"	51893	41813	33040	25573
	501.0150.02	25VR93.4X	8.333	25	90,40	2 1/8"	1 3/8"	58685	47352	37424	28991
	501.0145.12	30VR118.4X	8.574	30	118,00	2 1/8"	1 3/8"	76254	64465	48668	37655

Todos los compresores son suministrados con protección eléctrica*, amortiguadores, llaves de servicio, carga de aceite y caja de conexiones IP66 (Starex ABS para A2L)

*Protección eléctrica y voltaje:

- Modelos K-L-VLR protección clixon THERMIK S01 (certificación UL) integrado en el bobinado del motor. Suministro estándar 230/400V III 50Hz
- Modelos GR-MR-VR sensores de temperatura y protector Kriwan INT69 Diagnose con posibilidad de conexión y descarga de datos via micro USB (cable opcional). Suministro estándar 400 V III 50 Hz hasta 20 CV - 400V III 50HZ PW hasta 40 CV. Otros voltajes y frecuencias disponibles bajo demanda.

Recomendamos presostato diferencial de aceite para los modelos con bomba de aceite LR-MR-VLR-GR-VR, consulte precio y otras opciones en la pág.33
Recomendamos by-pass de arranque para modelos GR-MR a partir de 10CV

All compressors supplied with electrical protection, dampers, service valves and corresponding oil charge.

*Electrical protection inside winding. GR-MR-VR models include temperature sensors and protection Kriwan INT69 Diagnose with data downloading via micro USB

Standard voltage 230/400V 3phase 50Hz 1450 rpm. till 20 HP , 400V III PW till 40 HP Other voltages and frequencies available under request. Ask for price.

We recommend oil differential pressure device for LR-MR-VLR-GR-VR models, check price and other options on page 33.

We recommend start up by pass for GR-MR models from 10HP



WATT (50 Hz)

R404A / R-407A / R-407C / R-448A / R-449A

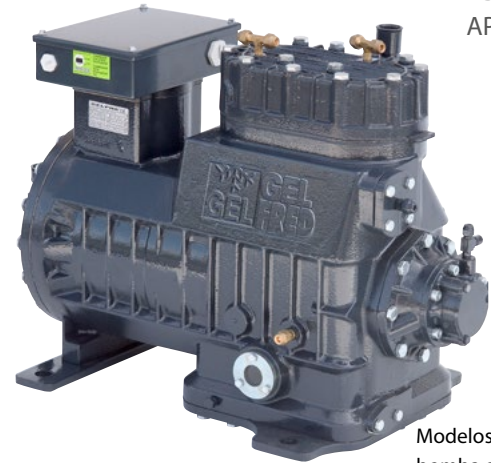
A2L R454C / R455A HFO R1234yf / R1234ze

Condiciones de Cálculo: Gas de aspiración 25°C, sin subenfriamiento de líquido.

Rating conditions: Suction return gas 25°C, without liquid subcooling.

R448A - Necesario ventilador de culata para BT - Motor fan needed for LT

	CÓDIGO CODE	MODELO MODEL	PVP RRP €	MOTOR MOTOR H.P.	DESPLAZ. DISPLAC. m³/h	ASP. SUCTION Ø	DESC. DISH. Ø	Rendimientos T° Cond.+40°C				
								GAS	-5°C	-10°C	-25°C	-35°C
COMPRESORES REFRIGERADOS POR AIRE	501.0010.02	07K3.2X	1.883	0,75	2,91	1/2"	3/8"	R-404A	1865	1525	766	420
								R-448A	1811	1452	678	336
	501.0011.02	07K5.2X	1.883	0,75	4,92	5/8"	3/8"	R-404A			1350	775
								R-448A			1195	620
	501.0015.02	1K5.2X	1.907	1	4,92	5/8"	1/2"	R-404A	3225	2645	1350	765
								R-448A	3131	2519	1195	612
	501.0016.02	1K7.2X	1.907	1	6,43	5/8"	1/2"	R-404A			1850	1075
								R-448A			1637	860
	501.0020.02	1,5K7.2X	1.936	1,5	6,43	5/8"	1/2"	R-404A	4330	3565	1850	1085
								R-448A	4204	3395	1637	868
	501.0021.02	1,5K8.2X	1.936	1,5	7,43	5/8"	1/2"	R-404A			2130	1260
								R-448A			1885	1008
	501.0022.02	1,5K9.2X	1.936	1,5	9,06	5/8"	1/2"	R-404A			2650	1570
								R-448A			2345	1256
	501.0025.02	2K8.2X	2.062	2	7,43	5/8"	1/2"	R-404A	4813	3940	1970	1078
								R-448A	4673	3752	1743	862
	501.0026.02	2K9.2X	2.062	2	9,06	5/8"	1/2"	R-404A	6190	5095	2595	1535
								R-448A	6010	4852	2296	1228
	501.0030.02	2L9.2X	2.852	2	9,06	7/8"	1/2"	R-404A	6125	4990	2365	1130
								R-448A	5947	4752	2093	904
	501.0031.02	2L13.2X	2.800	2	12,87	7/8"	1/2"	R-404A			3560	1775
								R-448A			3150	1420
	501.0035.02	3L13.2X	2.881	3	12,87	7/8"	5/8"	R-404A	9005	7355	3360	1765
								R-448A	8743	7005	2973	1412
	501.0038.02	3L17.2X	2.881	3	17,14	7/8"	5/8"	R-404A	11725	9610	5210	2790
								R-448A	11383	9152	4611	2232
	501.0036.02	3L19.2X	2.881	3	19,43	1 1/8"	5/8"	R-404A			6230	3555
								R-448A			5513	2844
501.0055.02	4L17.2X	3.046	4	17,14	7/8"	5/8"	R-404A	12700	10445	5155	2770	
							R-448A	12330	9948	4562	2216	
501.0056.02	4L19.2X	3.046	4	19,43	1 1/8"	5/8"	R-404A	14405	11830	5970	3330	
							R-448A	13985	11267	5283	2664	
501.0057.02	4L23.2X	3.046	4	22,52	1 1/8"	5/8"	R-404A			7245	4260	
							R-448A			6412	3408	
501.0075.02	5L23.2X	3.133	5	22,52	1 1/8"	5/8"	R-404A	16380	13355	6995	4030	
							R-448A	15903	12719	6190	3224	



Modelos con bomba de aceite (los precios no incluyen presostato diferencial de aceite)

Modelos GR A2L - Necesario instalar presostato electrónico DELTA P-II + sensor térmico de gases en culata (consulte precio)

WATT (50 Hz)

R-404A / R-407A / R407C / R448A / R449A
A2L R454C / R455A HFO R1234yf / R1234ze

Condiciones de Cálculo: Gas de aspiración 25°C, sin subenfriamiento de líquido.
Rating conditions: Suction return gas 25°C, without liquid subcooling.
R448A - Necesario ventilador de culata para BT - Motor fan needed for LT

	CÓDIGO CODE	MODELO MODEL	PVP RRP €	MOTOR MOTOR H.P.	DESPLAZ. DISPLAC. m³/h	ASP. SUCTION Ø	DESC. DISH. Ø	Rendimientos T° Cond.+40°C				
								GAS	-5°C	-10°C	-25°C	-35°C
COMPRESORES REFRIGERADOS POR GAS ASPIRADO	501.0067.02	4LR23.2X	3.742	4	22,52	1 1/8"	5/8"	R-404A			7120	4165
								R-448A			6301	3332
	501.0081.02	5LR23.2X	3.748	5	22,52	1 1/8"	5/8"	R-404A	16065	13095	6870	3915
								R-448A	15597	12471	6080	3132
	501.0085.02	6MR27.2X	5.239	5	26,65	1 3/8"	7/8"	R-404A		15325	7880	4555
								R-448A		14595	6973	3644
	501.0100.02	7MR27.2X	5.295	7,5	26,65	1 3/8"	1 1/8"	R-404A	18650	15240	7590	4175
								R-448A	18107	14514	6717	3340
	501.0102.02	7MR32.2X	5.295	7,5	32,00	1 3/8"	1 1/8"	R-404A		14480	8980	4960
								R-448A		13790	7947	3968
	501.0110.02	9MR32.2X	5.360	10	32,00	1 3/8"	1 1/8"	R-404A	21970	17965	8950	4950
								R-448A	21330	17110	7920	3960
	501.0090.02	6GR31.3X	5.396	5	31,08	1 3/8"	7/8"	R-404A			8760	5025
								R-448A			7752	4020
	501.0105.02	8GR31.3X	5.449	7,5	31,08	1 3/8"	1 1/8"	R-404A	21675	17700	8600	4770
								R-448A	21044	16857	7611	3816
	501.0106.02	8GR39.3X	5.449	7,5	39,02	1 3/8"	1 1/8"	R-404A			11385	6490
								R-448A			10075	5192
	501.0115.02	10GR39.3X	5.536	10	39,02	1 3/8"	1 1/8"	R-404A	27235	22355	11080	6470
								R-448A	26442	21290	9805	5176
501.0116.02	10GR50.3X	5.536	10	49,88	1 3/8"	1 1/8"	R-404A			14860	8930	
							R-448A			13150	7144	
501.0125.02	15GR50.3X	5.851	15	49,88	1 5/8"	1 1/8"	R-404A	34765	28630	14735	8695	
							R-448A	33752	27267	13040	6956	
501.0120.02	12GR60.3X	6.049	12,5	60,28	1 3/8"	1 1/8"	R-404A			18175	10795	
							R-448A			16084	8636	
501.0130.02	18GR60.3X	6.591	18	60,28	1 5/8"	1 1/8"	R-404A	42255	34835	17810	10705	
							R-448A	41024	33176	15761	8564	



Modelo VLR



Modelo VR

Modelos con
bomba de aceite
(los precios no
incluyen presostato
diferencial de
aceite)

WATT (50 Hz) - R-404A / R-407A / R-407C / R-448A / R-449A

Modelos VLR-VR A2L READY PRÓXIMAMENTE

COMPRESORES 4 CILINDROS EN V
4 CYLINDERS IN V COMPRESSORS

Condiciones de Cálculo: Gas de aspiración 25°C, sin subenfriamiento de líquido.

Rating conditions: Suction return gas 25°C, without liquid subcooling.

R448A - Necesario ventilador de culata para BT - Motor fan needed for LT

	CÓDIGO CODE	MODELO MODEL	PVP RRP €	MOTOR MOTOR H.P.	DESPLAZ. DISPLAC. m³/h	ASP. SUCTION Ø	DESC. DISH. Ø	Rendimientos T° Cond.+40°C				
								GAS	-5°C	-10°C	-25°C	-35°C
COMPRESORES REFRIG. POR GAS DE ASPIRACIÓN	501.0082.02	5VLR26.4X	4.142	5	25,7	1 1/8"	7/8"	R-404A		14944	7840	4468
								R-448A		14232	6938	3574
	501.0098.02	7VLR26.4X	4.558	7,5	25,7	1 1/8"	7/8"	R-404A	18333	15010	7832	4359
								R-448A	17799	14295	6931	3487
	501.0082.12	5VLR29.4X	4.142	5	29	1 1/8"	7/8"	R-404A		16700	8630	4950
								R-448A		15905	7637	3960
	501.0098.12	7VLR29.4X	4.558	7,5	29	1 1/8"	7/8"	R-404A	20050	16786	8500	4900
								R-448A	19466	15987	7522	3920
	501.0098.22	7VLR33.4X	4.558	7,5	33	1 1/8"	7/8"	R-404A	21470	17820	9300	5380
								R-448A	20845	16971	8230	4304
	501.0112.02	10VLR33.4X	4.911	10	33	1 1/8"	7/8"	R-404A	21610	17930	9250	5300
								R-448A	20981	17076	8186	4240
	501.0098.32	7VLR38.4X	4.558	7,5	38,2	1 3/8"	7/8"	R-404A		20650	10770	6250
								R-448A		19667	9531	5000
	501.0112.12	10VLR38.4X	4.911	10	38,2	1 3/8"	7/8"	R-404A	24850	20765	10745	6160
								R-448A	24126	19776	9509	4928
	501.0125.22	15VR73.4X	8.248	15	70,68	1 5/8"	1 1/8"	R-404A			19790	11850
								R-448A			17513	9480
	501.0135.02	25VR73.4X	8.290	25	70,68	2 1/8"	1 1/8"	R-404A	49099	39391	18659	10932
								R-448A	47669	37515	16512	8746
501.0140.02	20VR83.4X	8.236	20	80,36	2 1/8"	1 1/8"	R-404A			22399	13627	
							R-448A			19822	10902	
501.0145.02	30VR83.4X	8.405	30	80,36	2 1/8"	1 1/8"	R-404A	55813	44706	21187	13377	
							R-448A	54187	42577	18750	10702	
501.0150.02	25VR93.4X	8.333	25	90,4	2 1/8"	1 3/8"	R-404A			25389	15110	
							R-448A			22468	12088	
501.0155.02	35VR93.4X	8.900	35	90,4	2 1/8"	1 3/8"	R-404A	62726	50339	23807	14908	
							R-448A	60899	47942	21068	11926	
501.0145.12	30VR118.4X	8.574	30	118,00	2 1/8"	1 3/8"	R-404A			32935	20007	
							R-448A			29146	16006	
501.0160.02	40VR118.4X	9.580	40	118,00	2 1/8"	1 3/8"	R-404A	82025	65765	31152	18355	
							R-448A	79634	62633	27568	14684	



UNIDADES CONDENSADORAS HELICOIDALES AIR COOLED CONDENSING UNITS

UNIDADES CONDENSADORAS AIRE HELICOIDALES HELICOIDAL AIR COOLED CONDENSING UNITS



Gelphametic

ABRIL 2025

APRIL 2025

R404A/R449A/R407A/R407F/407C
A2L R454C / R455A



R448A

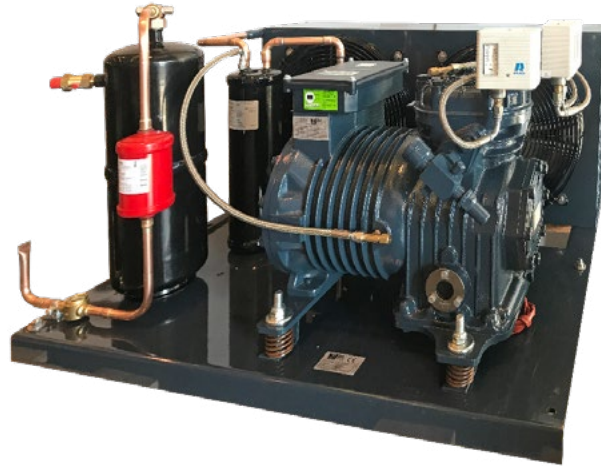
	CÓDIGO CODE	MODELO MODEL	PVP €	PVC ACC.		Asp	Liq	VENT. FANS	RECIPIENTE RECEIVER (100%) L.	Rendimientos T° ambiente +36°C			
										-5°C	-10°C	-25°C	-35°C
COMPRESORES REFRIGERADOS POR AIRE	700.0010.02	F1-07K3.2X	2.979	3.431	1	1/2"	3/8"	1 x Ø300	3,00	1703	1409	672	342
	700.0011.12	F1-07K5.2X	2.979	3.520	2	1/2"	3/8"	1 x Ø300	3,00			1146	579
	700.0015.02	P2-1K5.2X	3.540	3.983	1	5/8"	3/8"	2 x Ø300	3,00	2489	2048	1080	552
	700.0015.12	G1-1K5.2X	3.418	3.840	1	5/8"	3/8"	1 x Ø400	3,00	2941	2418	1019	518
	700.0016.02	E2-1K7.2X	3.331	3.847	2	5/8"	3/8"	2 x Ø300	3,00			1520	807
	700.0020.12	P2-1,5K7.2X	3.597	4.054	1	5/8"	3/8"	2 x Ø300	3,00	3867	3195	1382	768
	700.0020.02	G1-1,5K7.2X	3.470	3.957	1	5/8"	3/8"	1 x Ø400	3,00	3786	3076	1427	794
	700.0021.02	P2-1,5K8.2X	3.612	4.053	1	5/8"	3/8"	2 x Ø300	3,00	4258	3521	1670	885
	700.0022.02	P2-1,5K9.2X	3.612	4.132	2	5/8"	3/8"	2 x Ø300	3,00			2053	898
	700.0025.02	J1-2K8.2X	3.983	4.307	1	5/8"	3/8"	1 x Ø400	3,00	4466	3691	1760	930
	700.0026.02	P2-2K9.2X	3.624	4.079	1	5/8"	3/8"	2 x Ø300	3,00		4245	1931	840
	700.0030.12	K2-2L9.2X	4.962	5.339	1	7/8"	3/8"	2 x Ø350	5,00	5175	4173	1965	960
	700.0031.22	K2-2L13.2X	4.909	5.418	2	7/8"	3/8"	2 x Ø350	5,00			2832	1328
	700.0031.02	J1-2L13.2X	4.588	5.196	2	7/8"	3/8"	1 x Ø400	5,00			2823	1322
	700.0035.32	L2-3L13.2X	5.494	6.135	1	7/8"	1/2"	2 x Ø350	7,00	7177	6000	2805	1212
	700.0036.12	H2-3L19.2X	5.133	5.824	2	1"1/8	1/2"	2 x Ø350	7,00			4907	2308
700.0055.12	Q2-4L17.2X	6.129	6.663	1	7/8"	1/2"	2 x Ø400	11,00	10497	9098	4052	1916	
700.0056.32	Q2-4L19.2X	6.162	6.663	1	1"1/8	1/2"	2 x Ø400	11,00	11894	9855	4827	2070	
700.0057.12	L2-4L23.2X	5.604	6.323	2	1"1/8	1/2"	2 x Ø350	11,00			5442	2642	
700.0075.32	R2-5L23.2X	7.045	7.716	1	1"1/8	1/2"	2 x Ø450	11,00	13107	10667	5420	2640	
COMPR. REFRIG POR GAS DE A SPIRACIÓN	700.0081.22	R2-5LR23.2X	8.088	10.065	3	1"1/8	1/2"	2 x Ø450	11,00	12913	10381	5177	2672
	700.0085.22	L2-6MR27.2X	7.615	10.538	4	1"3/8	1/2"	2 x Ø350	11,00			6593	3520
	700.0100.02	M2-7MR27.2X	10.048	12.293	3	1"3/8	5/8"	2 x Ø450	15,00	14720	12803	6593	3520
	700.0110.02	K3-9MR32.2X	12.527	14.821	5	1"3/8	7/8"	3 x Ø450	15,00	19261	15928	7912	4224
	700.0090.22	L2-6GR31.3X	8.301	11.444	4	1"3/8	5/8"	2 x Ø350	15,00			7513	4024
	700.0105.02	M2-8GR31.3X	10.303	12.204	3	1"3/8	5/8"	2 x Ø450	15,00	17568	14771	7095	3933
	700.0105.12	N2-8GR31.3X	9.855	12.201	3	1"3/8	5/8"	2 x Ø450	15,00	18627	15222	7058	3917
	700.0106.12	R2-8GR39.3X	9.743	12.849	4	1"3/8	5/8"	2 x Ø450	15,00			9894	5504
	700.0115.02	K3-10GR39.3X	12.587	15.312	5	1"3/8	7/8"	3 x Ø450	20,00	21495	18886	7741	4184
	700.0115.12	M2-10GR39.3X	11.360	14.040	5	1"3/8	7/8"	2 x Ø450	20,00	20450	16737	8817	4844
	700.0116.12	N2-10GR50.3X	11.052	14.540	6	1"3/8	7/8"	2 x Ø450	20,00			11177	5686
	700.0120.12	M2-12GR60.3X	11.492	15.131	6	1"3/8	7/8"	2 x Ø450	30,00			12982	6520
	700.0125.02	K3-15GR50.3X	12.831	14.933	5	1"5/8	7/8"	3 x Ø450	30,00	30897	25572	11174	5638
	700.0125.32	X4-15GR50.3X	14.694	17.361	5	1"5/8	7/8"	4 x Ø450	30,00	30947	25607	11157	5630
	700.0130.32	T4-18GR60.3X	15.970	18.586	5	1"5/8	7/8"	4 x Ø450	30,00	40067	32844	12908	6487
	700.0130.02	X4-18GR60.3X	14.700	17.564	5	1"5/8	7/8"	4 x Ø450	30,00	39983	32781	12935	6503

ACCESORIOS

- 1- Presostato A/B, filtro y visor.
- 2- Presostato A/B, filtro y visor, resistencia de cárter.
- 3- Presostato A/B, presostato A, filtro y visor, presostato dif. aceite, separador de aceite.
- 4- Presostato A/B, presostato A, filtro y visor, presostato dif. aceite, separador de aceite, separador líquido, resistencia de cárter.
- 5- Presostato A/B, presostato A, filtro y visor, presostato dif. aceite, separador de aceite, By Pass.
- 6- Presostato A/B, presostato A, filtro y visor, presostato dif. aceite, separador de aceite, separador líquido, resistencia de cárter, ByPass.
- 7- Presostato A/B, filtro y visor, presostato dif. aceite.

- 1- HP/LP dual switch, filter drier & sight glass.
- 2- HP/LP dual switch, filter drier & sight glass, crankcase heater.
- 3- HP/LP dual switch, HP switch, filter drier & sight glass, oil diff. pressure switch and oil separator.
- 4- HP/LP dual switch, HP switch, filter drier & sight glass, oil diff. pressure switch, oil separator, suction accumulator and crankcase heater.
- 5- HP/LP dual switch, HP switch, filter drier & sight glass, oil diff. pressure switch, oil separator and By Pass.
- 6- HP/LP dual switch, HP switch, filter drier & sight glass, oil diff. pressure switch, oil separator, suction accumulator, crankcase heater and ByPass.
- 7- HP/LP dual switch, HP switch, filter drier & sight glass and oil diff. pressure switch.

UNIDADES CONDENSADORAS AIRE HELICOIDALES
HELICOIDAL AIR COOLED CONDENSING UNITS



R134a / R513A / R450A

	CÓDIGO CODE	MODELO MODEL	PVP €	PVC ACC.	Asp	Liq	VENT FANS	RECIPIENTE RECEIVER (100%) L.	Rendimientos T° ambiente +36°C				
									5°C	0°C	-5°C	-10°C	
COMP. REFR. POR AIRE	700.0011.02	F1-07K5.2X	2.979	3.437	1	1/2"	3/8"	1 x Ø300	3,00	1995	1680	1380	1160
	700.0016.02	E2-1K7.2X	3.331	3.774	1	5/8"	3/8"	2 x Ø300	3,00	3200	2700	2240	1835
	700.0022.02	P2-1,5K9.2X	3.612	4.054	1	5/8"	3/8"	2 x Ø300	3,00	4750	3975	3280	2575
	700.0023.01	E2-1,5K9.2X	3.380	3.803	1	5/8"	3/8"	2 x Ø300	3,00			3230	2535
	700.0031.02	J1-2L13.2X	4.588	5.118	1	7/8"	3/8"	1 x Ø400	5,00	6380	5410	4500	3620
	700.0031.22	K2-2L13.2X	4.909	5.341	1	7/8"	3/8"	2 x Ø350	5,00	6110	5200	4280	3475
	700.0037.21	L2-3L19.2X	5.510	6.136	1	1"1/8"	1/2"	2 x Ø350	7,00	9197	7803	6170	5188
	700.0037.01	J1-3L19.2X	4.790	5.310	1	1"1/8"	1/2"	1 x Ø400	7,00			6700	5430
	700.0058.21	Q2-4L23.2X	6.085	6.666	1	1"1/8"	1/2"	2 x Ø400	11,00	11410	9620	8005	6350
	700.0057.12	L2-4L23.2X	5.604	6.246	1	1"1/8"	1/2"	2 x Ø350	11,00			8000	6300
COMPR. REFRIG. GAS DE ASPIRACIÓN	700.0067.21	Q2-4LR23.2X	6.669	7.772	7	1"1/8"	1/2"	2 x Ø400	11,00	11420	9650	8010	6312
	700.0067.31	L2-4LR23.2X	6.151	7.146	7	1"1/8"	1/2"	2 x Ø350	11,00			7890	6292
	700.0086.21	R2-6MR27.2X	8.874	10.192	3	1"3/8"	1/2"	2 x Ø450	11,00	14110	11850	9902	7938
	700.0086.31	Q2-6MR27.2X	7.975	9.293	3	1"3/8"	1/2"	2 x Ø400	11,00			9750	7950
	700.0102.21	R2-7MR32.2X	9.525	11.687	3	1"3/8"	7/8"	2 x Ø450	15,00	16832	14082	11593	9420
	700.0102.31	Q2-7MR32.2X	8.395	9.715	3	1"3/8"	7/8"	2 x Ø400	15,00			11480	9315
	700.0091.21	R2-6GR31.3X	9.721	11.801	3	1"3/8"	5/8"	2 x Ø450	15,00	16184	13540	11147	9058
	700.0090.22	L2-6GR31.3X	8.301	10.458	3	1"3/8"	5/8"	2 x Ø350	15,00			10870	8970
	700.0107.01	N2-8GR39.3X	9.772	12.415	3	1"3/8"	7/8"	2 x Ø450	20,00	19040	16300	13800	11450
	700.0107.21	Q2-8GR39.3X	8.780	10.976	3	1"3/8"	7/8"	2 x Ø400	15,00			13525	11230
	700.0117.01	M2-10GR50.3X	11.504	14.064	5	1"3/8"	7/8"	2 x Ø450	20,00	23950	20550	17350	14400
	700.0116.12	N2-10GR50.3X	11.052	13.555	5	1"3/8"	7/8"	2 x Ø450	20,00			17265	14325
	700.0120.01	K3-12GR60.3X	12.877	15.381	5	1"3/8"	7/8"	3 x Ø450	30,00	31700	27180	22980	19140
	700.0120.12	M2-12GR60.3X	11.492	14.144	5	1"3/8"	7/8"	2 x Ø450	30,00			22530	18760

ACCESORIOS:

- 1- Presostato A/B, filtro y visor.
- 2- Presostato A/B, filtro y visor, resistencia de cárter.
- 3- Presostato A/B, presostato A, filtro y visor, presostato dif. aceite, separador de aceite.
- 4- Presostato A/B, presostato A, filtro y visor, presostato dif. aceite, separador de aceite, separador líquido, resistencia de cárter.
- 5- Presostato A/B, presostato A, filtro y visor, presostato dif. aceite, separador de aceite, By Pass.
- 6- Presostato A/B, presostato A, filtro y visor, presostato dif. aceite, separador de aceite, separador líquido, resistencia de cárter, ByPass.
- 7- Presostato A/B, filtro y visor, presostato dif. aceite.

ACCESSORIES :

- 1- HP/LP dual switch, filter drier & sight glass.
- 2- HP/LP dual switch, filter drier & sight glass, crankcase heater.
- 3- HP/LP dual switch, HP switch, filter drier & sight glass, oil diff. pressure switch and oil separator.
- 4- HP/LP dual switch, HP switch, filter drier & sight glass, oil diff. pressure switch, oil separator, suction accumulator and crankcase heater.
- 5- HP/LP dual switch, HP switch, filter drier & sight glass, oil diff. pressure switch, oil separator and By Pass.
- 6- HP/LP dual switch, HP switch, filter drier & sight glass, oil diff. pressure switch, oil separator, suction accumulator, crankcase heater and ByPass.
- 7- HP/LP dual switch, HP switch, filter drier & sight glass and oil diff. pressure switch.

UNIDADES CONDENSADORAS AIRE HELICOIDALES
CON COMPRESORES 4 CILINDROS EN V
HELICOIDAL AIR COOLED CONDENSING UNITS
WITH 4 CYLINDER COMPRESSORS V



ABRIL 2025

APRIL 2025



Modelos VLR-VR A2L READY PRÓXIMAMENTE

R-134a / R513A

	CÓDIGO CODE	MODELO MODEL	PVP €	PVC ACC.		Asp	Liq	VENT FANS	RECIPIENTE RECEIVER (100%) L.	Rendimientos T° ambiente +36°C			
										5°C	0°C	-5°C	-10°C
COMPRESORES REFRIGERADOS POR GAS DE ASPIRACIÓN	700.0082.01	R2-5VLR26.4X	8.449	10.279	3	1"1/8	5/8"	2 x Ø450	11,00	14566	12186	10032	8152
	700.0082.11	R2-5VLR29.4X	8.449	10.279	3	1"1/8	5/8"	2 x Ø450	11,00	15537	12998	10701	8696
	700.0098.22	R2-7VLR33.4X	8.566	10.396	3	1"1/8	5/8"	2 x Ø450	15,00	16831	14082	11593	9420
	700.0098.31	N2-7VLR38.4X	8.913	10.743	3	1"3/8	5/8"	2 x Ø450	15,00	18659	15974	13524	11221
	700.0125.21	X4-15VR73.4X	17.259	19.389	3	1"5/8	7/8"	4 x Ø450	30,00	37402	31320	25917	20722
	700.0140.01	T4-20VR83.4X	18.600	20.805	3	2"1/8	7/8"	4 x Ø450	45,00	42552	35541	31405	23527
	700.0150.01	T4-25VR93.4X	19.087	21.442	3	2"1/8	1"1/8	4 x Ø450	45,00	48121	40249	33307	26672
	700.0145.11	S2-30VR118.4X	21.504	23.859	3	2"1/8	1"1/8	2 x Ø630	60,00	62528	54795	43314	34642

R-448A

	CÓDIGO CODE	MODELO MODEL	PVP €	PVC ACC.		Asp	Liq	VENT FANS	RECIPIENTE RECEIVER (100%) L.	Rendimientos T° ambiente +36°C			
										-5°C	-10°C	-25°C	-35°C
COMPRESORES REFRIGERADOS POR GAS DE ASPIRACIÓN	700.0082.02	L2-5VLR26.4X	7.050	9.705	4	1"1/8	1/2"	2 x Ø450	11,00			6346	3388
	700.0098.02	M2-7VLR26.4X	8.913	10.818	3	1"1/8	5/8"	2 x Ø450	15,00	14168	12323	6346	3388
	700.0082.12	L2-5VLR29.4X	7.050	9.705	4	1"1/8	1/2"	2 x Ø450	11,00			6988	3742
	700.0098.12	M2-7VLR29.4X	8.913	10.818	3	1"1/8	5/8"	2 x Ø450	15,00	16338	13737	6598	3658
	700.0098.22	R2-7VLR33.4X	8.566	11.251	4	1"1/8	5/8"	2 x Ø450	15,00			8113	4514
	700.0112.02	M2-10VLR33.4X	9.877	11.782	3	1"1/8	7/8"	2 x Ø450	20,00	16769	13725	7230	3972
	700.0098.32	R2-7VLR38.4X	8.449	11.359	4	1"3/8	5/8"	2 x Ø450	15,00			9696	5394
	700.0112.12	K3-10VLR38.4X	11.235	13.140	3	1"3/8	7/8"	3 x Ø450	20,00	21065	18508	7586	4100
	700.0125.22	K3-15VR73.4X	15.386	18.806	4	1"5/8	7/8"	3 x Ø450	30,00			14361	7205
	700.0135.02	S2-25VR73.4X	20.986	23.191	3	2"1/8	7/8"	2 x Ø630	45,00	46477	37140	13392	6996
	700.0140.02	K3-20VR83.4X	15.891	21.201	4	2"1/8	7/8"	3 x Ø450	45,00			16254	8286
	700.0145.02	S2-30VR83.4X	21.422	23.627	3	2"1/8	1"1/8	2 x Ø630	60,00	52833	42151	15187	7062
	700.0150.02	X4-25VR93.4X	17.792	23.252	4	2"1/8	1"1/8	4 x Ø450	45,00			18424	9670
	700.0155.02	Y3-35VR93.4X	22.465	24.820	3	2"1/8	1"1/8	3 x Ø630	60,00	59377	47463	17065	9064
	700.0145.12	T4-30VR118.4X	19.065	24.525	4	2"1/8	1"1/8	4 x Ø450	60,00			23900	12164
	700.0160.02	Z3-40VR118.4X	25.380	27.735	3	2"1/8	1"1/8	3 x Ø630	60,00	77643	62007	22330	11747

R448A - Necesario ventilador de culata para BT - Motor fan needed for LT

Unidades condensadoras carrozadas INBOX GELPHA

- Bajo nivel sonoro, y un fácil mantenimiento e instalación. Todos los componentes de control son de alta calidad y marcas reconocidas.
- El tamaño compacto de estas unidades condensadoras permite una fácil y rápida instalación.
- El diseño garantiza una amplia operación, especialmente en ambientes de alta temperatura.
- Las unidades INBOX GELPHA equipadas con compresores de pistón GELPHA para refrigeración comercial en media y baja temperatura.
- Próximamente modelos A2L ready con panel eléctrico aislado.

Accesorios incluidos modelos MT y LT

- Panel eléctrico de potencia y maniobra integrado ABB
- Paquete de aletas con tratamiento anticorrosión
- Condensador tropicalizado
- Aislamiento acústico
- Doble presostato con rearme automático. Alta y baja presión.
- Filtro deshidratador y visor en línea de líquido
- Recipiente de líquido
- Válvulas de servicio en línea de líquido y aspiración
- Motoventilador axial
- Manómetros

Accesorios opcionales

- Resistencia de cárter
- Control de condensación

Accesorios incluidos modelos MTP y LTP

- Panel eléctrico de potencia y maniobra integrado ABB
- Paquete de aletas con tratamiento anticorrosión
- Condensador tropicalizado
- Aislamiento acústico
- Doble presostato con rearme automático. Alta y baja presión.
- Filtro deshidratador y visor en línea de líquido
- Recipiente de líquido
- Válvulas de servicio en línea de líquido y aspiración
- Motoventilador axial
- Manómetros
- Separador de aceite
- Acumulador de aspiración

Accesorios opcionales

- Resistencia de cárter
- Control de condensación

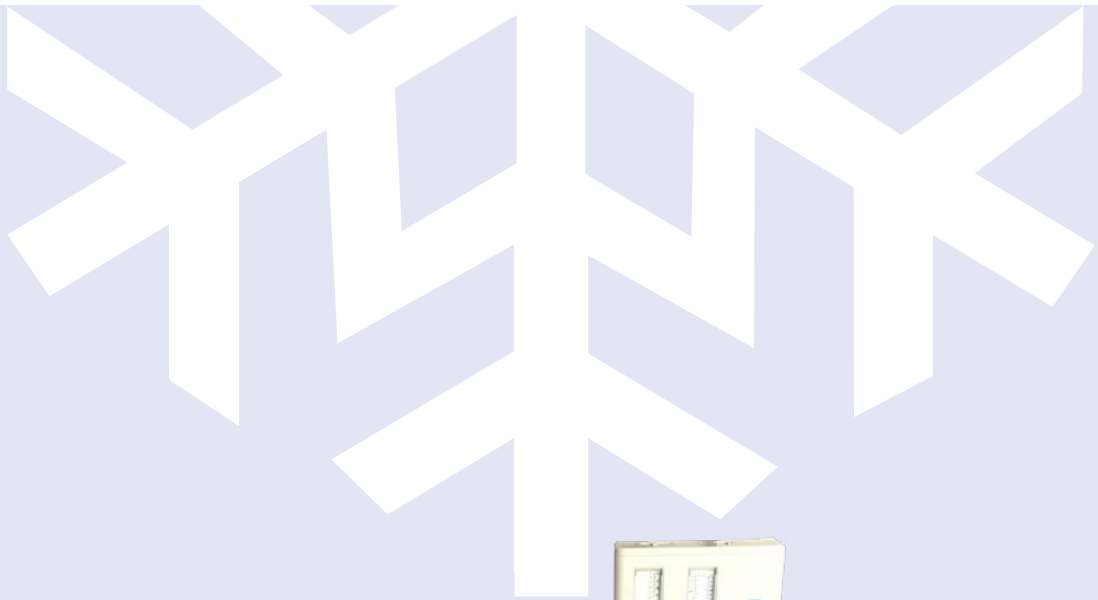




WATT (50 Hz) - R-404A / R-407A / R-407C / R-448A / R-449A

	CÓDIGO CODE	MODELO MODEL	COMPRESOR MODELO	PVP €	Asp	Liq	COND. DT15K	VENT FANS	Rendimientos Kw Cond+45C			
									+5°C	0°C	-5°C	-10°C
R448/449A MEDIA TEMPERATURA	730.4001.03	GEL 4001 MT3	07K3.2X	4.561 €	1/2"	3/8"	5.17	1 x Ø400	2.50	2.04	1.60	1.25
	730.4501.05	GEL 4501 MT5	1K5.2X	5.112 €	5/8"	3/8"	8.23	1 x Ø450	4.20	3.45	2.78	2.25
	730.4501.07	GEL 4501 MT7	1,5K7.2X	5.139 €	5/8"	3/8"	8.23	1 x Ø450	5.30	4.40	3.50	2.80
	730.5001.09	GEL 5001 MTP9	2L9.2X	8.641 €	7/8"	1/2"	15.65	1 x Ø500	7.96	6.55	5.34	4.30
	730.5001.13	GEL 5001 MTP13	3L13.2X	8.669 €	7/8"	1/2"	15.65	1 x Ø500	11.34	9.36	7.66	6.20
	730.4502.17	GEL 4502 MTP17	4L17.2X	10.398 €	7/8"	1/2"	22.30	2 x Ø450	14.80	12.36	10.24	8.42
	730.4502.23	GEL 4502 MTP23	5L23.2X	10.508 €	1"1/8"	5/8"	27,84	2 x Ø450	19.07	16.63	13.30	10.62
	730.5002.26	GEL 5002 MTP26	7VLR26.4X	14.108 €	1"1/8"	5/8"	34.26	2 x Ø500	22.78	18.62	15.05	12.06
	730.5002.29	GEL 5002 MTP29	7VLR29.4X	14.108 €	1"1/8"	5/8"	34.26	2 x Ø500	25.68	21.27	17.45	14.18
	730.5002.33	GEL 5002 MTP33	10VLR33.4X	14.493 €	1"1/8"	5/8"	34.26	2 x Ø500	28.96	23.98	19.68	15.99
730.4504.38	GEL 4504 MTP38	10VLR38.4X	16.627 €	1"1/8"	5/8"	49.08	4 x Ø450	33.07	27.22	22.16	17.82	

	CÓDIGO CODE	MODELO MODEL	COMPRESOR MODELO	PVP €	Asp	Liq	COND. DT15K	VENT FANS	Rendimientos Kw Cond+45C			
									-20°C	-25°C	-30°C	-35°C
R448/449A BAJA TEMPERATURA	720.4001.05	GEL 4001 LT5	07K5.2X	4.561 €	1/2"	3/8"	5.17	1 x Ø400	1.25	0.95	0.70	0.50
	720.4001.07	GEL 4001 LT7	1K7.2X	4.561 €	1/2"	3/8"	5.17	1 x Ø400	1.78	1.38	1.05	0.75
	720.4501.09	GEL 4501 LT9	1,5K9.2X	5.139 €	5/8"	3/8"	8.23	1 x Ø450	2.50	1.98	1.54	1.16
	720.5001.13	GEL 5001 LTP13	2L13.2X	8.559 €	7/8"	1/2"	15.65	1 x Ø500	3.85	3.05	2.40	1.87
	720.5001.17	GEL 5001 LTP17	3L17.2X	8.669 €	7/8"	1/2"	15.65	1 x Ø500	5.14	4.14	3.37	2.70
	720.5001.19	GEL 5001 LTP19	3L19.2X	8.669 €	7/8"	1/2"	15.65	1 x Ø500	5.98	4.85	3.95	3.19
	720.5001.23	GEL 5001 LTP23	4L23.2X	8.834 €	7/8"	1/2"	15,65	1 x Ø500	6.82	5.52	4.50	3.64
	720.5001.26	GEL 5001 LTP26	5VLR26.4X	10.044 €	7/8"	1/2"	15,65	1 x Ø500	7.69	5.97	4.55	3.37
	720.4502.29	GEL 4502 LTP29	5VLR29.4X	11.608 €	7/8"	1/2"	22.30	2 x Ø450	8.54	6.73	5.26	4.00
	720.4502.33	GEL 4502 LTP33	7VLR33.4X	12.075 €	1"1/8"	5/8"	22.30	2 x Ø450	9.85	7.87	6.30	4.97
720.4502.38	GEL 4502 LTP38	7VLR38.4X	12.075 €	1"1/8"	5/8"	22.30	2 x Ø450	11.80	9.33	7.28	5.49	



UNIDADES CONDENSADORAS DE AGUA WATER COOLED CONDENSING UNITS



R-134a / R513A

	CÓDIGO CODE	U. COND. MODELO COND. UNIT MODEL	PVP RRP €	CONDENSADOR CONDENSER	CONEXIONES AGUA (FTP) WATER CONNECTIONS	CAUDAL NOMINAL (Torre) [m³/h] NOMINAL FLOW (Tower)[m³/h]	Rendimientos T° Cond.+30C			
							5°C	0°C	-5°C	-10°C
COMPR. REFR. AIRE	701.0011.02	W-07K5.2X	5.771	577.0140.00	2 x 1 1/2"	0,8	3275	2672	2156	1717
	701.0016.02	W-1K7.2X	5.759	577.0140.00	2 x 1 1/2"	0,8	4188	3423	2764	2204
	701.0021.02	W-1,5K8.2X	6.072	577.0140.50	2 x 1 1/2"	0,8	4801	3934	3181	2542
	701.0022.02	W-1,5K9.2X	6.236	577.0140.50	2 x 1 1/2"	0,8	5883	4815	3899	3115
	701.0026.02	W-2K9.2X	6.319	577.0141.00	2 x 1 1/2"	1	5941	4858	3935	3146
	701.0031.02	W-2L13.2X	7.183	577.0141.00	2 x 1 1/2"	1	8496	6958	5633	4498
	701.0036.02	W-3L19.2X	7.462	577.0142.00	2 x 2"	1,5	13229	10819	8732	6969
C. REFR. GAS ASP.	701.0057.02	W-4L23.2X	7.713	577.0142.00	2 x 2"	1,5	15485	12712	10313	8281
	701.0067.02	W-4LR23.2X	Consultar	577.0142.00	2 x 2"	1,5	15330	12591	10107	8119
	701.0085.02	W-6MR27.2X	Consultar	577.0142.00	2 x 2"	1,5	18368	14874	11855	9316
	701.0102.02	W-7MR32.2X	Consultar	577.0143.00	2 x 2"	1,8	22136	18080	14557	11596
	701.0090.02	W-6GR31.3X	Consultar	577.0142.00	2 x 2"	1,4	20610	16742	13402	10575
	701.0106.02	W-8GR39.3X	Consultar	577.0143.00	2 x 2"	1,8	26618	21668	17392	13785
	701.0116.02	W-10GR50.3X	Consultar	577.0144.00	2 x 2"	4,6	33230	27036	21694	17191
701.0120.02	W-12GR60.3X	Consultar	577.0144.00	2 x 2"	4,6	42818	35145	28520	23278	

Condensadores con tratamiento marino - Consultar precios.
Marine condensers - Ask price.

R448A - Necesario ventilador de culata para BT - Motor fan needed for LT

R-448A / R-404A / R-448A / R449A / R407A / R407F / R407C

	CÓDIGO CODE	U. COND. MODELO COND. UNIT MODEL	PVP RRP €	CONDENSADOR CONDENSER	CONEXIONES AGUA (FTP) WATER CONNECTIONS	CAUDAL NOMINAL (Torre) [m³/h] NOMINAL FLOW (Tower)[m³/h]	Rendimientos T° Cond.+30C			
							-5°C	-10°C	-25°C	-35°C
COMPRESORES REFRIGERADOS POR AIRE	701.0010.02	W-07K3.2X	5.708	577.0140.00	2 x 1 1/2"	0,8	2130	1701	796	406
	701.0011.02	W-07K5.2X	5.771	577.0140.00	2 x 1 1/2"	0,8			1390	719
	701.0015.02	W-1K5.2X	5.799	577.0140.50	2 x 1 1/2"	0,8	3622	2913	1381	715
	701.0016.02	W-1K7.2X	5.759	577.0140.00	2 x 1 1/2"	0,8			1870	988
	701.0020.02	W-1,5K7.2X	6.045	577.0140.50	2 x 1 1/2"	0,8	4780	3853	1862	988
	701.0021.02	W-1,5K8.2X	6.072	577.0140.00	2 x 1 1/2"	0,8			2144	1139
	701.0022.02	W-1,5K9.2X	6.236	577.0140.00	2 x 1 1/2"	0,8			2671	1420
	701.0026.02	W-2K9.2X	6.319	577.0141.00	2 x 1 1/2"	1	6830	5509	2616	1390
	701.0030.02	W-2L9.2X	7.022	577.0141.00	2 x 1 1/2"	1	6952	5569	2549	1217
	701.0031.02	W-2L13.2X	7.183	577.0141.00	2 x 1 1/2"	1			3770	1818
	701.0035.02	W-3L13.2X	7.372	577.0142.00	2 x 2"	1,5	10193	8182	3589	1774
	701.0038.02	W-3L17.2X	7.372	577.0142.00	2 x 2"	1,5	13230	10634	5413	2710
	701.0036.02	W-3L19.2X	7.372	577.0142.00	2 x 2"	1,5			6276	3282
	701.0055.02	W-4L17.2X	7.614	577.0142.00	2 x 2"	1,5	14180	11446	5358	2692
	701.0056.02	W-4L19.2X	7.614	577.0142.00	2 x 2"	1,5	16074	12971	6134	3120
701.0057.02	W-4L23.2X	7.614	577.0142.00	2 x 2"	1,5			7296	3876	
701.0075.02	W-5L23.2X	7.787	577.0142.00	2 x 2"	1,5	18242	14603	7098	3714	
COMPRESORES POR REFR. GAS ASPIRACIÓN	701.0067.02	W-4LR23.2X	Consultar	577.0142.00	2 x 2"	1,5			7157	3743
	701.0081.02	W-5LR23.2X	Consultar	577.0142.00	2 x 2"	1,5	17892	14331	6967	3610
	701.0085.02	W-6MR27.2X	Consultar	577.0142.00	2 x 2"	1,5		16609	7978	4160
	701.0100.02	W-7MR27.2X	Consultar	577.0143.00	2 x 2"	1,8	20693	16571	7734	3935
	701.0102.02	W-7MR32.2X	Consultar	577.0143.00	2 x 2"	1,8			9133	4662
	701.0110.02	W-9MR32.2X	Consultar	577.0143.00	2 x 2"	1,8	24349	19512	9099	4643
	701.0090.02	W-6GR31.3X	Consultar	577.0142.00	2 x 2"	1,5			8947	4595
	701.0105.02	W-8GR31.3X	Consultar	577.0143.00	2 x 2"	1,8	24396	19490	8766	4448
	701.0106.02	W-8GR39.3X	Consultar	577.0143.00	2 x 2"	1,8			11517	5905
	701.0115.02	W-10GR39.3X	Consultar	577.0144.00	2 x 2"	4,6	30564	24523	11188	5905
	701.0116.02	W-10GR50.3X	Consultar	577.0144.00	2 x 2"	4,6			15026	7926
	701.0125.02	W-15GR50.3X	Consultar	577.0144.00	2 x 2"	4,6	39095	31455	14731	7896
	701.0120.02	W-12GR60.3X	Consultar	577.0144.00	2 x 2"	4,6			18324	9678
701.0130.02	W-18GR60.3X	Consultar	577.0144.00	2 x 2"	4,6	47450	38209	17810	9582	

Condensadores con tratamiento marino - Consultar precios.
Marine condensers - Ask price.

R448A - Necesario ventilador de culata para BT - Motor fan needed for LT

SEMIHERMÉTICOS
 SEMI-HERMETIC

R-134a / R-513A / R-450A

	CÓDIGO CODE	U. COND. MODELO COND. UNIT MODEL	PVP RRP €	CONDENSADOR CONDENSER	CONEXIONES AGUA (FTP) WATER CONNECTIONS	CAUDAL NOMINAL (Torre) [m³/h] NOMINAL FLOW (Tower)[m³/h]	Rendimientos T° Cond.+30C			
							5°C	0°C	-5°C	-10°C
COMPRESORES REFRIGERADOS GAS DE ASPIRACIÓN	701.0082.02	W-5VLR26.4X	Consultar	577.0142.00	2 x 2"	1,5	17688	14324	11416	8971
	701.0082.12	W-5VLR29.4X	Consultar	577.0143.00	2 x 2"	1,8	19838	16064	12804	10061
	701.0098.22	W-7VLR33.4X	Consultar	577.0143.00	2 x 2"	1,8	22800	18622	14994	11944
	701.0098.32	W-7VLR38.4X	Consultar	577.0143.00	2 x 2"	1,8	26086	21234	17045	13510
	701.0125.22	W-15VR73.4X	Consultar	577.0143.00	2 x 2"	1,8	49706	40113	31779	24633
	701.0140.02	W-20VR83.4X	Consultar	577.0143.00	2 x 2"	1,8	56440	45569	36033	28048
	701.0150.02	W-25VR93.4X	Consultar	577.0144.00	2 x 2"	4,6	63903	51606	40818	31764
	701.0145.12	W-30VR118.4X	Consultar	577.0144.00	2 x 2"	4,6	82983	66968	53055	41226

R-448A / R-404A / R449A / R407A / R407F / R407C

	CÓDIGO CODE	U. COND. MODELO COND. UNIT MODEL	PVP RRP €	CONDENSADOR CONDENSER	CONEXIONES AGUA (FTP) WATER CONNECTIONS	CAUDAL NOMINAL (Torre) [m³/h] NOMINAL FLOW (Tower)[m³/h]	Rendimientos T° Cond.+30C			
							-5°C	-10°C	-25°C	-35°C
COMPRESORES REFRIGERADOS GAS DE ASPIRACIÓN	701.0082.02	W-5VLR26.4X	Consultar	577.0142.00	2 x 2"	1,5		16354	7951	4120
	701.0098.02	W-7VLR26.4X	Consultar	577.0143.00	2 x 2"	1,8	20417	16364	7942	4050
	701.0082.12	W-5VLR29.4X	Consultar	577.0143.00	2 x 2"	1,8		18253	8762	4942
	701.0098.12	W-7VLR29.4X	Consultar	577.0143.00	2 x 2"	1,8	22578	18392	8701	4913
	701.0098.22	W-7VLR33.4X	Consultar	577.0143.00	2 x 2"	1,8	23918	19295	9351	4942
	701.0112.02	W-10VLR33.4X	Consultar	577.0143.00	2 x 2"	1,8	24004	19314	9267	4846
	701.0098.32	W-7VLR38.4X	Consultar	577.0143.00	2 x 2"	1,8		22310	10826	5746
	701.0112.12	W-10VLR38.4X	Consultar	577.0144.00	2 x 2"	4,6	27659	22411	10796	5606
	701.0125.22	W-15VR73.4X	Consultar	577.0143.00	2 x 2"	1,8			20404	10582
	701.0135.02	W-25VR73.4X	Consultar	577.0146.00	2 x 2"	5	53949	42570	19293	10426
	701.0140.02	W-20VR83.4X	Consultar	577.0143.00	2 x 2"	1,8			23196	12121
	701.0145.02	W-30VR83.4X	Consultar	577.0146.00	2 x 2"	5	61278	48357	21938	11841
	701.0150.02	W-25VR93.4X	Consultar	577.0144.00	2 x 2"	4,6			26274	14126
	701.0155.02	W-35VR93.4X	Consultar	577.0148.00	2 x 2 1/2"	6	68965	54426	24647	13384
	701.0145.12	W-30VR118.4X	Consultar	577.0144.00	2 x 2"	4,6			34110	17812
	701.0160.02	W-40VR118.4X	Consultar	577.0151.00	2 x 2 1/2"	7,4	90068	71170	32253	17407

R448A - Necesario ventilador de culata para BT - Motor fan needed for LT

Condensadores con tratamiento marino - Consultar precios
 Marine condensers - Ask price



UNIDADES CONDENSADORAS CENTRIFUGAS CENTRIFUGAL CONDENSING UNITS

SEMIHERMÉTICOS
SEMI-HERMETIC

R-134a / R513A / R450A



	CÓDIGO CODE	UNIDAD COND. CONDENSING UNIT	PVP RRP €	CONDENSADOR CONDENSER	RECIPIENTE RECEIVER (100%) L.	Rendimientos T° Ambiente +36°C			
						5°C	0°C	-5°C	-10°C
COMP. REF. AIRE	702.0011.02	CT-07K5.2X	5.583	066.0302.01	3,00	1995	1680	1380	1160
	702.0016.01	CT-1K7.2X	5.581	066.0302.01	3,00	3250	2735	2275	1860
	702.0022.02	CT-1,5K9.2X	5.811	066.0304.01	5,00	4750	3975	3280	2575
	702.0031.02	CT-2L13.2X	7.745	066.0305.01	5,00	6250	5300	4415	3545
	702.0037.01	CT-3L19.2X	8.700	066.0307.01	7,00	9400	8010	6700	5430
	702.0058.01	CT-4L23.2X	8.780	066.0308.01	11,00	11390	9650	8170	6755
C. REF. ASP.	702.0086.01	CT-6MR27.2X	12.611	066.0309.01	15,00	13490	11570	9750	7950
	702.0091.01	CT-6GR31.3X	14.733	066.0309.01	15,00	14965	12880	10870	8970
	702.0107.01	CT-8GR39.3X	13.403	066.0310.01	15,00	18665	15980	13525	11225
	702.0117.01	CT-10GR50.3X	15.668	066.0311.01	30,00	23830	20450	17265	14325
	702.0120.01	CT-12GR60.3X	17.244	066.0320.01	30,00	31075	26650	22530	18760

R-448A / R-404A / R449A / R407A / R407F / R407C

R448A - Necesario ventilador de culata para BT - Motor fan needed for LT

	CÓDIGO CODE	UNIDAD COND. CONDENSING UNIT	PVP RRP €	CONDENSADOR CONDENSER	RECIPIENTE RECEIVER (100%) L.	Rendimientos T° Ambiente.+36°C			
						-5°C	-10°C	-25°C	-35°C
COMPR. REFR. POR AIRE	702.0011.02	CT-07K5.2X	5.583	066.0302.01	3,00			1058	596
	702.0015.02	CT-1K5.2X	5.581	066.0302.01	3,00	2851	2346	1053	594
	702.0016.02	CT-1K7.2X	5.581	066.0302.01	3,00			1520	807
	702.0020.02	CT-1,5K7.2X	5.811	066.0304.01	5,00	3867	3195	1520	807
	702.0022.02	CT-1,5K9.2X	5.811	066.0304.01	5,00			2053	920
	702.0026.02	CT-2K9.2X	5.864	066.0304.01	5,00	5204	4245	1819	898
	702.0031.02	CT-2L13.2X	7.745	066.0305.01	5,00			2996	1428
	702.0035.02	CT-3L13.2X	8.700	066.0307.01	7,00	7922	6562	2801	1400
	702.0055.02	CT-4L17.2X	8.791	066.0308.01	11,00	10497	8665	4219	1971
	702.0057.02	CT-4L23.2X	8.766	066.0307.01	11,00			4898	2752
COMPR. REFR. GAS ASP.	702.0075.02	CT-5L23.2X	10.076	066.0309.01	11,00	13056	10802	4850	2584
	702.0085.02	CT-6MR27.2X	10.636	066.0307.01	15,00			6155	3834
	702.0100.02	CT-7MR27.2X	12.844	066.0310.01	15,00	14888	12469	6144	3588
	702.0105.02	CT-8GR31.3X	15.691	066.0311.01	15,00	18667	15251	7069	3917
	702.0106.02	CT-8GR39.3X	11.797	066.0308.01	15,00			8359	4378
	702.0115.02	CT-10GR39.3X	17.182	066.0313.01	30,00	20450	16737	8359	4378
	702.0116.02	CT-10GR50.3X	14.162	066.0310.01	30,00			10973	5400
	702.0120.02	CT-12GR60.3X	15.791	066.0311.01	30,00			12584	6864
	702.0125.02	CT-15GR50.3X	21.157	066.0322.01	30,00	30897	25572	10973	5400
	702.0130.02	CT-18GR60.3X	22.184	066.0322.01	30,00	38112	31205	12584	6864

Todas las unidades se suministran con presostato AyB, filtro deshidratador y visor de líquido. Opciones: aislamiento acústico, posición mueble horizontal o vertical, descarga del aire frontal, lateral o superior.

All units supplied with H/L pressures switch, filter drier and sight glass. Optional: acustical isolating, horizontal or vertical frame position, front-side-top air flow direction.

UNIDADES CONDENSADORAS AIRE CENTRIFUGAS
CON COMPRESORES 4 CILINDROS V
CENTRIFUGAL AIR CONDENSING UNITS
WITH 4 CYLINDER COMPRESSORS V

KOBOL.



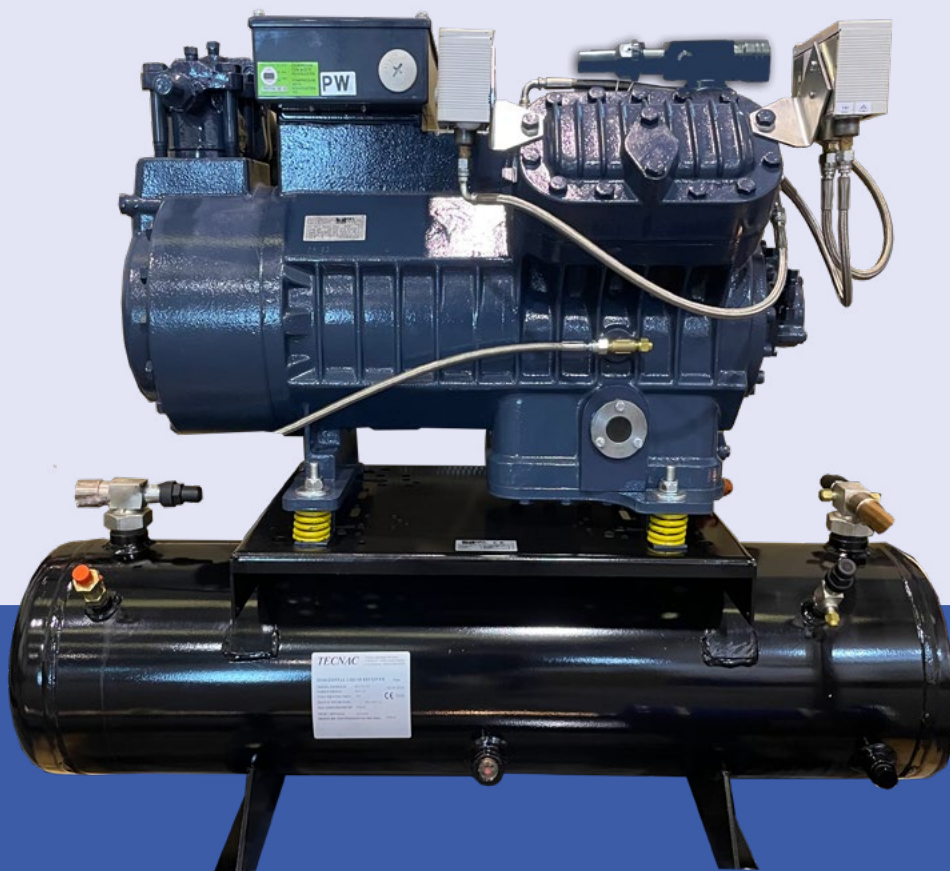
SEMIHERMÉTICOS
SEMI-HERMETIC

R-134a / R513A / R450A

	CÓDIGO CODE	UNIDAD COND. CONDENSING UNIT	PVP RRP €	CONDENSADOR CONDENSER	RECIPIENTE RECEIVER (100%) L.	Rendimientos Tª Ambiente.+36C			
						5°C	0°C	-5°C	-10°C
COMPR. REFR. GAS DE ASPIRACIÓN	702.0082.01	CT -5VLR26.4X	12.116	066.0309.01	11,00	14175	11709	9520	7280
	702.0082.11	CT -5VLR29.4X	12.116	066.0309.01	11,00	15895	13132	10675	8165
	702.0098.21	CT -7VLR33.4X	12.090	066.0309.01	15,00	18385	15345	12635	9855
	702.0098.31	CT -7VLR38.4X	12.312	066.0310.01	15,00	20938	17410	14280	11060

R-448A / R-404A / R449A / R407A / R407F / R407C

	CÓDIGO CODE	UNIDAD COND. CONDENSING UNIT	PVP RRP €	CONDENSADOR CONDENSER	RECIPIENTE RECEIVER (100%) L.	Rendimientos Tª Ambiente.+36°C			
						-5°C	-10°C	-25°C	-35°C
COMPR. REFR. GAS DE ASPIRACIÓN	702.0082.02	CT-5VLR26.4X	9.782	066.0307.01	11,00		13235	6104	3424
	702.0098.02	CT-7VLR26.4X	12.262	066.0310.01	15,00	1619	13295	6099	3348
	702.0082.12	CT-5VLR29.4X	9.784	066.0307.01	11,00		14314	6721	3802
	702.0098.12	CT-7VLR29.4X	14.460	066.0311.01	15,00	17714	14867	6619	3760
	702.0098.22	CT-7VLR33.4X	12.290	066.0310.01	15,00	18969	15781	7243	4132
	702.0112.02	CT-10VLR33.4X	14.500	066.0311.01	30,00	19092	15881	7204	4064
	702.0098.32	CT-7VLR38.4X	9.801	066.0308.01	15,00		18290	8389	4800
	702.0112.12	CT-10VLR38.4X	16.063	066.0313.01	30,00	21956	18390	8367	4732



 **GEL**
GELPHA
Gelphametic

UNIDADES DE COMPRESIÓN COMPRESSION UNITS



SEMIHERMÉTICOS
 SEMI-HERMETIC

R-134a / R513A / R450A

	CÓDIGO CODE	UNIDAD COMP. COMPRESSOR UNIT	PVP RRP €	RECIPIENTE LÍQUIDO LIQUID RECEIVER (100%) L.	SALIDA RECIPIENTE OUT VALVE RECEL.	DIMENSIONES DIMENSIONS			Rendimientos T° Cond.+40C			
						LARGO LENGTH	ANCHO WIDTH	ALTO HEIGHT	5°C	0°C	-5°C	-10°C
C. REF. GAS ASP.	703.0031.02	R-2L13.2X	3.786	577.9040.00 (15 L)	5/8"	600	360	700	7680	6255	5040	4010
	703.0036.02	R-3L19.2X	3.921	577.9040.00 (15L)	5/8"	600	360	700	12070	9855	7955	6330
	703.0057.02	R-4L23.2X	4.097	577.9040.00 (15L)	5/8"	600	360	700	14220	11680	9500	7635
	703.0067.02	R-4LR23.2X	5.026	577.9040.00 (15L)	5/8"	600	360	700	14085	11570	9310	7485
	703.0085.02	R-6MR27.2X	5.812	577.0114.00 (30L)	7/8"	800	360	795	16725	13510	10745	8400
	703.0090.02	R-6GR31.3X	6.273	577.0114.00 (30L)	7/8"	800	360	825	18860	15270	12195	9585
	703.0106.02	R-8GR39.3X	6.386	577.0114.00 (30L)	7/8"	800	360	825	24280	19740	15840	12540
	703.0116.02	R-10GR50.3X	6.471	577.0114.00 (30L)	7/8"	800	360	825	30370	24685	19815	15675
	703.0120.02	R-12GR60.3X	7.005	577.0114.00 (30L)	7/8"	800	360	825	38775	31825	25855	20795

Recomendamos incluir ventilador de culata para las instalaciones con condensador a distancia.
 We recommend over head fan for remote condenser installations.



SEMIHERMÉTICOS
 SEMI-HERMETIC

R-448A / R-404A / R449A / R407A / R407F / R407C

	CÓDIGO CODE	UNIDAD COMP. COMPRESSOR UNIT	PVP RRP €	RECIPIENTE LÍQUIDO LIQUID RECEIVER (100%) L.	SALIDA RECIPIENTE OUT VALVE RECEL.	DIMENSIONES DIMENSIONS			Rendimientos T° Cond.+40C			
						LARGO LENGTH	ANCHO WIDT	ALTO HEIGHT	-5°C	-10°C	-25°C	-35°C
	703.0030.02	R-2L9.2X	3.786	577.9033.00 (15L)	5/8"	600	360	700	5947	4752	2093	904
	703.0031.02	R-2L13.2X	3.786	577.9033.00 (15L)	5/8"	600	360	700			3150	1420
	703.0035.02	R-3L13.2X	3.921	577.9033.00 (15L)	5/8"	600	360	700	8743	7005	2973	1412
	703.0038.02	R-3L17.2X	3.921	577.9033.00 (15L)	5/8"	600	360	700	11383	9152	4611	2232
	703.0036.02	R-3L19.2X	3.921	577.9033.00 (15L)	5/8"	600	360	700			5513	2844
	703.0055.02	R-4L17.2X	4.097	577.9033.00 (15L)	5/8"	600	360	700	12330	9948	4562	2216
	703.0056.02	R-4L19.2X	4.097	577.9033.00 (15L)	5/8"	600	360	700	13985	11267	5283	2664
	703.0057.02	R-4L23.2X	4.097	577.9033.00 (15L)	5/8"	600	360	700			6412	3408
	703.0075.02	R-5L23.2X	4.376	577.9033.00 (15L)	5/8"	600	360	700	15903	12719	6190	3224
COMPR. REFR. GAS ASPIRACION	703.0067.02	R-4LR23.2X	5.026	577.9033.00 (15L)	5/8"	600	360	700			6301	3332
	703.0081.02	R-5LR23.2X	5.258	577.9033.00 (15L)	5/8"	600	360	700	15597	12471	6080	3132
	703.0085.02	R-6MR27.2X	5.812	577.0114.00 (30L)	7/8"	800	360	795		14595	6973	3644
	703.0100.02	R-7MR27.2X	5.967	577.0114.00 (30L)	7/8"	800	360	795	18107	14514	6717	3340
	703.0090.02	R-6GR31.3X	6.273	577.0114.00 (30L)	7/8"	800	360	825			7752	4020
	703.0105.02	R-8GR31.3X	6.386	577.0114.00 (30L)	7/8"	800	360	825	21044	16857	7611	3816
	703.0106.02	R-8GR39.3X	6.386	577.0114.00 (30L)	7/8"	800	360	825			10075	5192
	703.0115.02	R-10GR39.3X	6.471	577.0114.00 (30L)	7/8"	800	360	825	26442	21290	9805	5176
	703.0116.02	R-10GR50.3X	6.471	577.0114.00 (30L)	7/8"	800	360	825			13150	7144
	703.0125.02	R-15GR50.3X	7.005	577.0114.00 (30L)	7/8"	800	360	825	33752	27267	13040	6956
	703.0120.02	R-12GR60.3X	7.005	577.0114.00 (30L)	7/8"	800	360	825			16084	8636
	703.0130.02	R-18GR60.3X	7.603	577.0114.00 (30L)	7/8"	800	360	825	41024	33176	15761	8564

UNIDADES DE COMPRESIÓN COMPRESORES 4 CILINDROS V
(Compresor sobre recipiente)
COMPRESSION UNITS 4 CYLINDER COMPRESSORS V
(Compressor on receiver)



SEMIHERMÉTICOS
SEMI-HERMETIC

R-134a / R513A / R450A

	CÓDIGO CODE	UNIDAD COMP. COMPRESSOR UNIT	PVP RRP €	RECIPIENTE LÍQUIDO LIQUID RECEIVER (100%) L.	SALIDA RECIPIENTE OUT VALVE RECEL.	DIMENSIONES DIMENSIONS			Rendimientos T° Cond.+40C			
						LARGO LENGTH	ANCHO WIDT	ALTO HEIGHT	5°C	0°C	-5°C	-10°C
COMPRESORES REFRIGERADOS POR GAS ASPIRACIÓN	703.0082.02	R-5VLR26.4X	5.597	577.9033.00 (15L)	5/8"	600	360	700	16106	13010	10347	8089
	703.0082.12	R-5VLR29.4X	5.597	577.9033.00 (15L)	5/8"	600	360	700	18063	14591	11605	9072
	703.0098.22	R-7VLR33.4X	6.227	577.9040.00 (20L)	7/8"	800	450	825	20894	17052	13735	10949
	703.0098.32	R-7VLR38.4X	6.227	577.9040.00 (20L)	7/8"	800	450	825	23794	19345	15523	12289
	703.0125.22	R-15VR73.4X	9.370	577.0114.00 (30L)	7/8"	800	450	825	45612	36847	29120	22524
	703.0140.02	R-20VR83.4X	9.370	577.0106.00 (60L)	1 1/8"	1100	450	886	51893	41813	33040	25573
	703.0150.02	R-25VR93.4X	9.606	577.0106.00 (60L)	1 1/8"	1100	450	886	58685	47352	37424	28991
	703.0145.12	R-30VR118.4X	9.720	577.0106.00 (60L)	1 1/8"	1100	450	886	76254	64465	48668	37655

R-448A / R-404A / R449A / R407A / R407F / R407C

	CÓDIGO CODE	UNIDAD COMP. COMPRESSOR UNIT	PVP RRP €	RECIPIENTE LÍQUIDO LIQUID RECEIVER (100%) L.	SALIDA RECIPIENTE OUT VALVE RECEL.	DIMENSIONES DIMENSIONS			Rendimientos T° Cond.+40C			
						LARGO LENGTH	ANCHO WIDT	ALTO HEIGHT	-5°C	-10°C	-25°C	-35°C
COMPRESORES REFRIGERADOS POR GAS ASPIRACIÓN	703.0082.02	R-5VLR26.4X	5.597	577.9033.00 (15L)	5/8"	600	360	700		14232	6938	3574
	703.0098.02	R-7VLR26.4X	5.597	577.9033.00 (15L)	5/8"	600	360	700	17799	14295	6931	3487
	703.0082.12	R-5VLR29.4X	5.923	577.9033.00 (15L)	5/8"	600	360	700		15905	7637	3960
	703.0098.12	R-7VLR29.4X	5.923	577.9033.00 (15L)	5/8"	600	360	700	19466	15987	7522	3920
	703.0098.22	R-7VLR33.4X	6.227	577.9040.00 (20L)	7/8"	800	450	825	20845	16971	8230	4304
	703.0112.02	R-10VLR33.4X	6.538	577.9040.00 (20L)	7/8"	800	450	825	20981	17076	8186	4240
	703.0098.32	R-7VLR38.4X	6.227	577.9040.00 (20L)	7/8"	800	450	825		19667	9531	5000
	703.0112.12	R-10VLR38.4X	6.538	577.9040.00 (20L)	7/8"	800	450	825	24126	19776	9509	4928
	703.0125.22	R-15VR73.4X	8.854	577.0114.00 (30L)	7/8"	800	450	825			17513	9480
	703.0135.02	R-25VR73.4X	9.077	577.0114.00 (30L)	7/8"	800	450	825	47669	37515	16512	8746
	703.0140.02	R-20VR83.4X	9.370	577.0106.00 (60L)	1 1/8"	1100	450	886			19822	10902
	703.0145.02	R-30VR83.4X	9.826	577.0106.00 (60L)	1 1/8"	1100	450	886	54187	42577	18750	10702
	703.0150.02	R-25VR93.4X	9.606	577.0106.00 (60L)	1 1/8"	1100	450	886			22468	12088
	703.0155.02	R-35VR93.4X	9.910	577.0106.00 (60L)	1 1/8"	1100	450	886	60899	47942	21068	11926
	703.0145.12	R-30VR118.4X	9.720	577.0106.00 (60L)	1 1/8"	1100	450	886			29146	16006
	703.0160.02	R-40VR118.4X	10.571	577.0106.00 (60L)	1 1/8"	1100	450	886	79634	62633	27568	14684

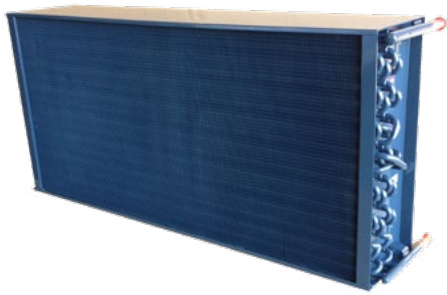


COMPONENTES Y ACCESORIOS

PARA REPUESTOS DE COMPRESORES
CONSULTEN NUESTRA WEB

FOR COMPRESSOR SPARE PARTS
CHECK OUR WEBSITE

www.gelpha.com



CONDENSADORES HELICOIDALES

MODELO MODEL	CÓDIGO CODE	PVP RRP € -VENT	PVP RRP € +VENT	DIMENSIONES MEASURES LxAxH	CAUDAL m³/h	CAPACIDAD CAPACITY AT 15K WATTS	MOTOVENTILADOR CON PALA Y PROTECCION MOTOR FAN WITH BLADE AND PROTECTION		
							POTEN. POWER W	VOLTAJE VOLTAGE V	PALA BLADE Ø
F1	066.0113.01	405	565	406x153x372	1.050	3.030	115	230	1 x Ø300
E2	066.0112.01	545	817	715x157x330	1.840	5.000	115	230	2 x Ø300
P2	066.0123.01	695	967	766x153x422	2.050	7.300	115	230	2 x Ø300
G1	066.0114.01	609	917	716x178x470	2.950	8.000	160	230/400	1 x Ø400
J1	066.0117.01	741	1.050	716x203x470	3.500	10.600	160	230/400	1 x Ø400
K2	066.0127.01	777	1.305	875x180x418	3.900	10.000	140	230/400	2 x Ø350
H2	066.0128.01	927	1.455	875x180x418	3.650	11.450	140	230/400	2 x Ø350
L2	066.0129.01	1.154	1.683	1025x180x520	4.600	15.200	140	230/400	2 x Ø350
Q2	066.0130.01	1.280	1.819	1025x215x520	6.000	18.000	160	230/400	2 x Ø400
R2	066.0132.01	1.619	2.616	1190x245x622	7.000	24.000	620	230/400	2 x Ø450
X4	566.0144.01	3.755	5.848	1250x245x1240	24.275	57.000	620	230/400	4 x Ø450
T4	566.0143.01	4.929	7.022	1250x245x1540	21.020	73.600	620	230/400	4 x Ø450
N2	066.0144.01	1.639	2.644	1250x245x620	12.136	28.500	620	230/400	2 x Ø450
M2	066.0143.01	2.218	3.204	1250x245x770	10.510	36.800	620	230/400	2 x Ø450
K3	066.0142.01	2.730	4.127	1850x245x620	15.187	50.100	620	230/400	3 x Ø450
S2	066.2216.00	-	7.676	2600x600x760	23.300	96.600	2.500	230/400	2 x Ø630
Y3	066.4311.00	-	8.803	2600x600x1110	37.800	116.300	3.750	230/400	3 x Ø630
Z3	066.4312.00	-	10.334	2600x600x1110	34.500	142.600	3.750	230/400	3 x Ø630

CONDENSADORES CENTRÍFUGOS

MODELO MODEL	CÓDIGO CODE	PVP RRP € +CUBO	DIMENSIONES MEASURES LxAxH	CAUDAL m³/h (5 mm)	CAPACIDAD CAPACITY AT 16° Kw (5mm)	SUPERF. SURFACE m²	VOL.INT. INT.VOL. dm³
GPC-22 V	066.0302.01	2.505	575x490x1300	3.075	6,7	9	1,8
GPC-52 V	066.0304.01	2.660	575x490x1300	2.625	10,0	18	3,6
GPC-62 V	066.0305.01	3.810	745x825x1550	3.300	12,9	31,2	6
GPC-82 V	066.0307.01	4.255	745x825x1550	6.650	19,6	31,2	6
GPC-92 V	066.0308.01	4.580	745x825x1550	6.250	24,5	46,8	9
GPC-142 V	066.0309.01	7.135	1345x825x1550	14.000	32,2	46,8	8,3
GPC-152 V	066.0310.01	7.360	1345x825x1550	13.300	38,8	62,4	11
GPC-162 V	066.0311.01	8.065	1345x825x1550	12.500	48,8	93,5	16,5
GPC-192	066.0313.01	9.240	1945x825x1550	18.600	71,6	140,3	24,1
GMC-23	066.0320.01	8.695	1880x845x1400	15.300	58,8	142	20,4
GMC-33	066.0322.01	12.225	2780x2720x1400	22.950	88,2	214	30,2





EVAPORADORES CÚBICOS COMERCIALES DE ALTA EFICIENCIA

- Baterías aleteadas - Tubo Cu Ø1/2" especificación CUPROCLIMA aletas AL coarrugado
- Paso aleta 4 mm MT Rt >= 0C y 6 mm LT Rt >= -18C
- Carcasa de aluminio pintado en blanco con polvo lectrostático de alta resistencia a la corrosión y a los impactos.
- Resistencias en acero inoxidable cubiertas por tubos de aluminio, situados en el paquete de aletas y en la bandeja de drenaje.

	Cámara Aisl. 80mm	U.Cond	evap.-5°C / amb.36°C		Evaporador Modelo	Kw DT-8°C	Caudal m³/h	Vent. unit/ø	Vol. dm³	Sup. m²	PVP / RRP €
			R-404A	R-448A							
MEDIA TEMPERATURA (desescarche incluido)	6 m³	F1-07K3.2X	1754	1703	HEA 3001 12 4D	2	1299	1 x 300	1,9	11,2	932
	12 m³	P2-1K5.2X	2564	2489	HEA 2502 17 4D	2,8	1655	2 x 250	2,8	16,7	1.192
	18 m³	G1-1K5.2X	3029	2941	HEA 3002 23 4D	3,5	2727	2 x 300	3,8	15,3	1.489
	22 m³	P2-1,5K7.2X	3983	3867	AEA 2503 26 4D	4,1	2490	3 x 250	4,2	17,3	1.983
	22 m³	G1-1,5K7.2X	3900	3786	AEA 250326 4D	4,1	2490	3 x 250	4,2	17,3	1.983
	26 m³	P2-1,5K8.2X	4386	4258	HEA 3002 23 4D	4,7	2599	2 x 300	3,8	22,6	1.489
	30 m³	J1-2K8.2X	4600	4466	HEA 3002 23 4D	4,7	2599	2 x 300	3,8	22,6	1.489
	38 m³	K2-2L9.2X	5330	5175	HEA 3003 35 4D	5,6	4091	3 x 300	5,6	23	2.029
	54 m³	L2-3L13.2X	7392	7177	HEA 4002 40 4D	8,4	6532	2 x 400	6,6	39	2.321
	90 m³	Q2-4L17.2X	10812	10497	HEA 4002 40 4D	10,8	6532	2 x 400	6,6	39	2.321
	120 m³	Q2-4L19.2X	12251	11894	HEA 4003 54 4D	12,7	9197	3 x 400	8,8	52,1	3.050
	130 m³	R2-5L23.2X	13500	13107	HEA 4502 61 4D	15,9	13891	4 x 400	13,2	53,2	3.112
	130 m³	R2-5LR23.2X	13300	12913	HEA 4502 61 4D	15,9	13891	4 x 400	13,2	53,2	3.112
	150 m³	M2-7MR27.2X	15162	14720	HEA 4502 61 4D	15,9	13891	4 x 400	13,2	53,2	3.112
	210 m³	M2-8GR31.3X	18095	17568	HEA 4004 81 4D	21,7	13068	4 x 400	13,2	78,1	4.023
	240 m³	K3-9MR32.2X	19839	19261	HEA 4004 81 4D	21,7	13068	4 x 400	13,2	78,1	4.023
240 m³	N2-8GR31.3X	19186	18627	HEA 4004 81 4D	21,7	13068	4 x 400	13,2	78,1	4.023	
260 m³	K3-10GR39.3X	22140	21495	HEA 4004 81 4D	21,7	13068	4 x 400	13,2	78,1	4.023	
260 m³	M2-10GR39.3X	21063	20450	HEA 4004 81 4D	21,7	13068	4 x 400	13,2	78,1	4.023	

	Cámara Aisl. 80mm	U.Cond	evap.-25°C / amb.36°C		Evaporador Modelo	Kw DT-7°C	Caudal m³/h	Vent. unit/ø	Vol. dm³	Sup. m²	PVP / RRP €
			R-404A	R-448A							
BAJA TEMPERATURA (desescarche incluido)	2 m³	F1-07K3.2X	759	672	HEA 2501 06 6D	0,9	855	1 x 250	1,4	5,7	789
	4 m³	F1-07K5.2X	1295	1146	HEA 3001 08 6D	1,5	1395	1 x 300	1,9	7,6	1.436
	4 m³	P2-1K5.2X	1220	1080	HEA 3001 08 6D	1,5	1395	1 x 300	1,9	7,6	1.436
	4 m³	G1-1K5.2X	1152	1019	HEA 3001 08 6D	1,5	1395	1 x 300	1,9	7,6	1.436
	8 m³	E2-1K7.2X	1718	1520	HEA 2502 11 6D	2	1711	2 x 250	2,8	11,5	1.178
	6 m³	P2-1,5K7.2X	1562	1382	HEA 3001 08 6D	1,5	1395	1 x 300	1,9	7,6	1.436
	6 m³	G1-1,5K7.2X	1612	1427	HEA 2502 11 6D	2	1711	2 x 250	2,8	11,5	1.178
	8 m³	P2-1,5K8.2X	1887	1670	HEA 2502 11 6D	2	1711	2 x 250	2,8	11,5	1.178
	12 m³	P2-1,5K9.2X	2320	2053	AEA 4001 13 6D	2,7	2036	1 x 350	2,3	9,6	1.673
	10 m³	J1-2K8.2X	1989	1760	HEA 2502 11 6D	2	1711	2 x 250	2,8	11,5	1.178
	10 m³	P2-2K9.2X	2182	1931	AEA 4001 13 6D	2,7	2036	1 x 350	2,3	9,6	1.673
	12 m³	K2-2L9.2X	2220	1965	AEA 4001 13 6D	2,7	2036	1 x 350	2,3	9,6	1.673
	20 m³	K2-2L13.2X	3200	2832	AEA 3002 15 6D	3,3	2567	3 x 250	4,2	17,3	1.739
	20 m³	J1-2L13.2X	3190	2823	AEA 3002 15 6D	3,3	2792	2 x 300	3,8	15,3	1.739
	16 m³	L2-3L13.2X	2650	2345	AEA 4001 13 6D	2,7	2036	1 x 350	2,3	9,6	1.673
	45 m³	H2-3L19.2X	5417	4794	HEA 4002 27 6D	5,5	4190	3 x 300	5,6	23	2.055
	35 m³	Q2-4L17.2X	4579	4052	HEA 3003 23 6D	4,9	4190	3 x 300	5,6	23	1.993
	35 m³	Q2-4L19.2X	5455	4827	HEA 4002 27 6D	5,5	4190	3 x 300	5,6	23	2.055
	45 m³	L2-4L23.2X	6150	5442	HEA 4002 27 6D	7,2	7127	2 x 400	6,6	26,8	2.055
	45 m³	R2-5L23.2X	6125	5420	HEA 4002 27 6D	7,2	7127	2 x 400	6,6	26,8	2.055
	50 m³	R2-5LR23.2X	6325	5597	HEA 4002 27 6D	7,2	7127	2 x 400	6,6	26,8	2.055
	70 m³	L2-6MR27.2X	7450	6593	HEA 4003 36 6D	8,4	10148	3 x 400	8,8	35,8	3.000
	70 m³	M2-7MR27.2X	7450	6593	HEA 4003 36 6D	8,4	10148	3 x 400	8,8	35,8	3.000
	90 m³	K3-9MR32.2X	8940	7912	HEA 4502 41 6D	10,8	11375	2 x 450	10	40,9	3.062
	90 m³	L2-6GR31.3X	8490	7513	HEA 4003 36 6D	8,4	10148	3 x 400	8,8	35,8	3.000
	85 m³	M2-8GR31.3X	8017	7095	HEA 4003 36 6D	8,4	10148	3 x 400	8,8	35,8	3.000
	75 m³	N2-8GR31.3X	7976	7058	HEA 4003 36 6D	8,4	10148	3 x 400	8,8	35,8	3.000
	80 m³	K3-10GR39.3X	8747	7741	HEA 4502 41 6D	10,8	11375	2 x 450	10	40,9	3.062
130 m³	R2-8GR39.3X	11180	9894	HEA 5002 54 6D	11,2	6117	3 x 350	7	28,8	5.455	
105 m³	M2-10GR39.3X	9963	8817	HEA 4502 41 6D	10,8	11375	2 x 450	10	40,9	3.062	



La protección del futuro del compresor: monitorización del estado

Han pasado casi 50 años entre el primer dispositivo de protección del compresor KRIWAN, el INT69, y el miembro más joven de la serie de diagnósticos. La última generación de relés de protección del motor (Diagnóstico INT69) no solo protege de manera confiable las máquinas y los sistemas contra la sobrecarga térmica, sino que también guarda errores y estados y envía los datos a un servidor de datos central.

Monitoreo de condición

Forman la base para un monitoreo integral de la condición, desde el registro hasta la reacción a la posibilidad de evaluar los datos correspondientes.

Configuración inteligente - parametrización de dispositivos de protección

Los relés de protección del motor de última generación de KRIWAN son a prueba de manipulaciones y ajustables individualmente. Los parámetros de activación que determinan la función de protección individual se transfieren al software y se pueden configurar a través de una interfaz USB, en el espíritu de Industry 4.0. Esto hace que la protección del motor sea centralmente administrable y a prueba de manipulaciones.



INT69 - 22A460

Protección de motor basada en sensores PTC es una de las más efectivas y confiables medidas de protección. AC 50/60HZ 24V 3VA -30 +70°C Relay AC 240V 2.5A C300

PVP / RRP
€

CONSULTAR



INT69 DIAGNOSE - 22A481

El módulo INT69 Diagnose es una versión superior del conocido protector para compresores KRIWAN. Incluye almacenaje y monitorización que ayudan a identificar las causas de posibles fallos de forma rápida y efectiva.

Voltaje dual AC 50/60HZ 115-230V +/-10% 3VA

CONSULTAR



INT275L CONTROL ÓPTICO DE NIVEL - 52S475S60+02K460S23

Control óptico de nivel de fluidos, el sistema para la detección sin contacto de límites de nivel está diseñado para instalación horizontal. El punto de medición está definido por la ubicación de instalación. La parte incorporada, pasiva de atornillado y la parte de evaluación electrónica juntas forman la solución para el control de nivel completo con el principio de medición óptica, sin componentes mecánicos propensos a errores.

CONSULTAR



DELTA-PII - 22S630S080 + 02D555

Los presostatos electrónicos aseguran que el aceite transportado en el eje sea suficiente. Ofrecen protección contra daños en superficies deslizantes o puntos de apoyo que amenazan si la presión de suministro de aceite es demasiado baja. La causa puede ser una mezcla espumosa de aceite / refrigerante o muy poco aceite.

CONSULTAR



INT-280 60bar - 52S581P031

El regulador de nivel de aceite INT280 controla y regula el nivel de aceite. Se utiliza en sistemas compuestos con compresores alternativos o compresores scroll y, a través de la reposición activa de aceite de un depósito de aceite común, elimina los problemas de engrase. Este sistema asegura un funcionamiento confiable y una larga vida útil del compresor. Como función de protección adicional, el sistema tiene una alarma con apagado del compresor.

CONSULTAR

Los modernos controladores de punto de refrigeración ya no solo regulan los compresores, componentes y procesos (descongelación, luces, ventiladores), sino que también se hacen cargo de la adquisición de datos como el centro del sistema y la alarma en caso de errores y fallos de funcionamiento.

iNT600 DU GATEWAY - 02S365S21

Cable de conexión INTspecter smartphone y/o tableta android. Conector USB estándar (tipo A)



Cable adaptador INT69 02S366/02S370

CONSULTAR



TODOS LOS MODELOS DE LA MARCA DISPONIBLES - CONSULTEN PRECIOS Y DISPONIBILIDAD

CONSULTAR



VARIADORES DE FRECUENCIA FREQUENCY CONVERTERS



COMPRESOR HT	POTENCIA Kw	PROTECCIÓN IP	VOLTAGE V	MODELO VARIADOR	INT. SALIDA AMPS.	FILTRO FILTER	TAMAÑO SIZE(mm)	PESO WEIGHT (Kg)	PVP / RRP €
--------------	-------------	---------------	-----------	-----------------	-------------------	---------------	-----------------	------------------	-------------

0,75 - 1 CV	0,75 Kw	IP-20	220V III	ODV-3-220043-3F12-SN	4,3A	SI	221x110x185	1,8	1.045
1,5 - 2 CV	1,5 Kw	IP-20	220V III	ODV-3-220070-3F12-MN	7A	SI	221x110x185	1,8	1.080
3 CV	2,2 Kw	IP-20	220V III	ODV-3-220105-3F12-SN	10,5A	SI	221x110x185	1,8	1.305
4 - 5 CV	4Kw	IP-20	220V III	ODV-3-320180-3F12-SN	18A	SI	261x131x205	3,5	2.070
7,5 CV	5,5 Kw	IP-20	220V III	ODV-3-320250-3F12-SN	24A	SI	261x131x205	3,5	2.265

0,75 - 1 CV	0,75 Kw	IP-20	380V III	ODV-3-240022-3F12-MN	2,2A	SI	221x110x185	1,8	970
1,5 - 2 CV	1,5 Kw	IP-20	380V III	ODV-3-240041-3F12-MN	4,1A	SI	221x110x185	1,8	1.045
3 CV	2,2 Kw	IP-20	380V III	ODV-3-240058-3F12-MN	5,8A	SI	221x110x185	1,8	1.080
4 - 5 CV	4Kw	IP-20	380V III	ODV-3-240095-3F12-MN	9,5A	SI	221x110x185	1,8	1.305
7,5 CV	5,5 Kw	IP-20	380V III	ODV-3-340140-3F12-MN	14A	SI	261x131x205	3,5	1.845
10CV	7,5 Kw	IP-20	380V III	ODV-3-340180-3F12-MN	18A	SI	261x131x205	3,5	2.070
15 CV	11 Kw	IP-20	380V III	ODV-3-340240-3F12-MN	24A	SI	261x131x205	3,5	2.265

7,5 CV	5,5 Kw	IP-55	220V III	ODV-3-320250-3F1A-MN	24A	SI	310x211x225	8,5	3.025
10 CV	7,5 Kw	IP-55	220V III	ODV3-420300-3F1N-TN	30A	SI	440x173x230	11,5	4.110
15 CV	11 Kw	IP-55	220V III	ODV3-420460-3F1N-TN	46A	SI	440x173x230	11,5	4.445
20 CV	15 Kw	IP-55	220V III	ODV-3-520610-3F1N-TN	61A	SI	540x235x270	23	5.365
25 CV	18,5 Kw	IP-55	220V III	ODV3-520720-3F1N-TN	72A	SI	540x235x270	23	5.565
30CV	22 Kw	IP-55	220V III	ODV3-520900-3F1N-TN	90A	SI	540x235x270	23	7.580
40 CV	30 Kw	IP-55	220V III	ODV3-621100-3F1N-TN	110A	SI	865x330x330	55	10.210

15 CV	11 Kw	IP-66	380V III	ODV-3-340240-3F1A-MN	24A	SI	310x211x273	8,5	3.025
20CV	15 Kw	IP-55	380V III	ODV-3-440300-3F1NT	30A	SI	450x171x252	12	3.745
25 CV	18,5 Kw	IP-55	380V III	ODV-3-440390-3F1NT	39A	SI	450x171x252	12	4.110
30 CV	22 Kw	IP-55	380V III	ODV-3-440460-3F1NT	46A	SI	450x171x252	12	4.445
40 CV	30 Kw	IP-55	380V III	ODV-3-540610-3F1N-MN	61A	SI	540x235x270	23	5.365

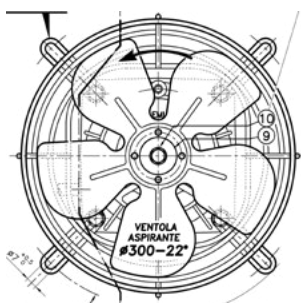
ACEITES LUBRICANTES COMPATIBLES COMPATIBLE LUBRICANTS

CÓDIGO CODE	ACEITE OIL	PVP ENVASE RRP BOTTLE €	TIPO ACEITE OIL TYPE	Viscosidad a cST 40°C	REFRIGERANTES REFRIGERANT
905.0008.05	FUCHS RENISO T. SE-55 (5 LTS)	245	POLIOLESTER	52,5	HFC / HFO
905.0008.01	SUNOIL SUNISO 3,5 GS (5 LTS)	90	MINERAL	30	CFC / HCFC
905.0008.04	SUNOIL SUNISO SL -46 (4 LTS)	150	POLIOLESTER	48,2	HFC / HFO
905.0008.08	SUNOIL SUNISO AKB -32 (20 LTS)	140	ALQUILBENC	46	CFC/ HCFC / NH3



VENTILADORES ASPIRANTES CON RETILLA DE PROTECCIÓN
MOTOR SUCTION FANS WITH BLADE AND PROTECTION

CÓDIGO CODE	PVP RRP €	POTEN. POWER W	VOLTAJE VOLTAGE V	PALA BLADE Ø
574.0218.02	125	115	230	300
050.0039.02	245	140	230/400	350
050.0043.03	285	160	230/400	400
050.0044.00	435	620	230/400	450



VENTILADORES ASPIRANTES CON RETILLA DE PROTECCIÓN
MOTOR SUCTION FANS WITH BLADE AND PROTECTION

CÓDIGO CODE	PVP RRP €	POTEN. POWER W	CAUDAL (m3/h)	VOLTAJE VOLTAGE V	PALA BLADE Ø
050.0030.20	135	80	1.743	230 II	300
050.0039.20	155	150	3.170	400 III	350
050.0043.20	165	180	4.500	400 III	400
050.0044.20	195	250	5.600	400 III	450



RECIPIENTES DE LÍQUIDO
LIQUID RECEIVERS

VOLUMEN VOLUME	ENTRADA INLET	SALIDA OUTLET	TIPO TYPE	CÓDIGO CODE	PVP RRP €
3	3/8"	3/8"	V	577.0138.00	211
5.2	3/8"	3/8"	V	577.0102.00	232
7.1	3/8"	3/8"	V	577.0115.00	259
11.1	1/2"	1/2"	V	577.0103.00	319
15	7/8"	5/8"	V	577.0104.00	362
20	7/8"	7/8"	H	577.9040.00	1.091
30	7/8"	7/8"	H	577.0114.00	1.242
60	1 1/8"	1 1/8"	H	577.0106.00	1.712



Todos los recipientes incorporan válvula de seguridad y tuerca frigorífica cápsula cierre.

All liquid receivers with safety valve and refrigeration nut included.

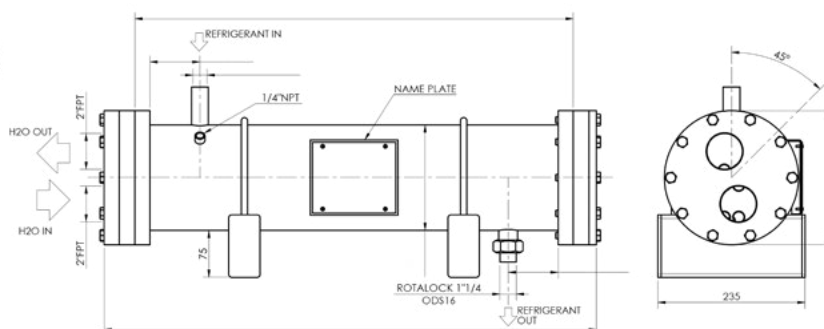
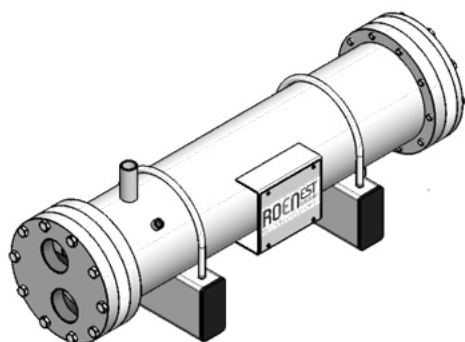
CONDENSADORES MULTITUBULARES
WATER HEAT EXCHANGERS

MODELO MODEL	ENTRADA INLET (a)	SALIDA OUTLET (b)	H ₂ O (d)	Vol. Ref. dm ³	Vol H ₂ O dm ³	(C) x (ØA)	CÓDIGO CODE	PVP RRP €
RX.168.1.700.4.DN40.1A	ODS22	1"1/4	1"1/2	12,7	0,8	776 x Ø214	577.0140.00	2.878
RX.168.1.700.4.DN40.1C	ODS22	1"1/4	1"1/2	12,3	1	776 x Ø214	577.0141.00	3.364
RX.168.1.700.2.DN50.1D	ODS22	1"1/4	2"	11,6	1,5	776 x Ø214	577.0142.00	3.602
RX.168.1.1400.2.DN50.1D	ODS35	1"1/4	2"	25,3	1,8	1478 x Ø214	577.0143.00	4.320
RX.168.1.1400.2.DN50.1E	ODS35	1"1/4	2"	22,5	4,6	1478 x Ø214	577.0144.00	4.552
RX.168.1.1400.2.DN50.1F	ODS35	1"1/4	2"	20,9	5,8	1478 x Ø214	577.0146.00	4.801

Condensadores multitubulares ROEN. Cabezal, placa tubular, camisa, conexiones frigoríficas e hidráulicas de acero al carbono. Tubos de intercambio térmico de cobre. Guarniciones planas y o-ring sin amianto. Pernos de acero de elevada resistencia.

Incluyen: soportes para el compresor, válvula de seguridad, válvula rotalock y tuerca correspondiente. Opcional: tratamiento marino.

Tube condensers. Including: compressor fixings, safety valve and rotalock valve.



DENOMINACIÓN	CÓDIGO	NO MONTADO EN FABRICA €	MONTADO EN FABRICA €
PRESOSTATO DIFERENCIAL DE ACEITE (Compresores mod. LR-VLR -MR -GR) OIL PRESURE DIFFERENTIAL CONTROL (Compressors mod. LR-VLR -MR -GR)	585.0006.00	395	455
PRESOSTATO DIFERENCIAL DE ACEITE Electrónico KRIWAN DELTA P-II 22S630S080 + 02D555 (Compressors mod. VR)	085.0006.10	395	395
RESISTENCIA CALEFACTORA DE CÁRTER Compresores mod. K (60W) CRANKCASE HEATER Compressors mod. K (60W)	518.0104.02	100	120
RESISTENCIA CALEFACTORA DE CÁRTER Compresores mod. L - LR - MR - GR - VLR - VR (100W) CRANKCASE HEATER Compressors mod. L - LR - MR - GR - VLR - VR (100W)	518.0104.01	100	120
VENTILADOR DE CULATA Ø300 (incluye soportes, espárragos y retilla) Para todos los modelos OVERHEAD FAN Ø300 All models	K 574.0220.01 / L 574.0220.00 MR-574.0220.02 / GR 574.0221.00 VR -574.0222.00 / VLR -574.0222.01	320	320
KIT AGUA REFRIGERACION DE COMPRESORES MOD. K - L WATER COOLING KIT FOR COMPRESSORS MOD. K - L	K -528.0103.00 L -528.0104.00		395
KIT ELECTRÓNICO DE INYECCIÓN DE LÍQUIDO Con módulo electr. de control, sonda de temp., solenoide, capilar inyector y tubos de conexión ELECTRONIC LIQUID INJECTION KIT With electronic control module, temp. Sounding, sol. Valve, capillary inj. and connection tubes	585.0017.00	1.035	1.210
ARRANQUE DESCARGADOR (BY -PASS) UNLOADED START KIT (BY -PASS)	000.1011.00	510	545
PRESOSTATO DE ALTA Y BAJA (con rearme automático) PRESSURE CONTROL HP/LP DUAL SWITCH (Automatic reset)	585.0006.01	250	275
FILTRO DESHIDRATADOR Y VISOR DE LÍQUIDO Para líneas de líquido de 3/8" DRIER AND SIGHTGLASS Liquid line 3/8"	513.0083.38	-	165
FILTRO DESHIDRATADOR Y VISOR DE LÍQUIDO Para líneas de líquido de 1/2" DRIER AND SIGHTGLASS Liquid line 1/2"	513.0164.12	-	175
FILTRO DESHIDRATADOR Y VISOR DE LÍQUIDO Para líneas de líquido de 5/8" DRIER AND SIGHTGLASS Liquid line 5/8"	513.0305.58	-	195
FILTRO DESHIDRATADOR Y VISOR DE LÍQUIDO Para líneas de líquido de 7/8" DRIER AND SIGHTGLASS Liquid line 7/8"	513.0307.78	-	235
PRESOSTATO DE ALTA // BAJA PRESSURE CONTROL HP // LP	A-585.0006.02 B-585.0006.03	105	155
CONTROL DE CAPACIDAD VR CAPACITY CONTROL VR	585.0025.10	-	695
REGULADOR ELECTRÓNICO NIVEL ACEITE TK3 + TRANSF. E230/24V ELECTRONIC OIL LEVEL REGULATOR TK3 + TRANSF. E230/24V	085.0022.03 + 085.0023.01	740	825
PROTECTOR KRIWAN INT69 DIAGNOSE 22A481 (Compresores mod.VR y otros bajo demanda) KRIWAN INT69 DIAGNOSE PROTECTION 22A481 (Compressors mod.VR and other by request)	085.0026.01	295	305

CONDICIONES GENERALES DE VENTA

1. El comprador acepta las siguientes CONDICIONES GENERALES DE VENTA por el solo hecho de cursarnos su pedido.
2. Cualquier condición consignada por el comprador en su pedido, que no se adapte a nuestras condiciones generales de venta, se considerará nula, salvo que sean aceptadas expresamente por escrito.
3. Los compresores nuevos y unidades condensadoras se entregarán a portes pagados en Península y Baleares salvo casos especiales. Los demás productos –accesorios, repuestos, condensadores, etc.- se entregarán a portes debidos o bien cargados en factura si así lo solicita el cliente. Las posibles incidencias o daños que pudieran presentar las mercancías fruto de una mala manipulación por parte de nuestras agencias de transporte deberá ser notificada dentro de las 24h posteriores a la recepción de la mercancía, fuera de ese plazo no se aceptarán reclamaciones. No se aceptarán cargos de ningún tipo por deficiencias del transporte.
4. En general los embalajes van incluidos en los precios, salvo productos especiales en cuyo caso se detallarán las condiciones en el presupuesto pertinente.
5. Para aquellas mercancías que se observe algún defecto de fabricación, la reclamación deberá hacerse dentro del plazo de 6 días a partir de la fecha de recepción de la misma, debiéndose efectuar la reclamación inexcusablemente por escrito. Transcurrido este plazo no tendrán ningún tipo de validez las reclamaciones del comprador.
6. Los pagos de nuestras mercancías se considerarán siempre al contado. En el caso de que se concedan créditos al comprador, deberán hacerse efectivos en los plazos estipulados, sin que esto quiera decir que renunciamos a la condición primera. La propiedad de la mercancía será de nuestro dominio, no cambiando su titularidad hasta finalizar el pago total de la misma.
7. Los efectos que resulten impagados a su vencimiento se verán afectados con los gastos bancarios, y devengando además un 2,5% mensual contado desde el día del vencimiento hasta la liquidación de la deuda.
8. Los pedidos inferiores a 250 euros se realizarán al contado, si bien en los casos excepcionales en que se conceda crédito, se podrá requerir que el pago correspondiente se realice dentro de los 30 días siguientes de la entrega de la mercancía.
9. El fabricante garantiza sus productos contra todo defecto de fabricación, por un plazo máximo de 12 meses, comprometiéndose a su reposición o reparación, entendiéndose que la garantía no cubre ningún tipo de gasto que pueda haber sido originado por avería del producto, tal como mano de obra, desplazamientos, pérdida de refrigerante, etc., y en cualquier caso, los materiales deberán enviarse a nuestros almacenes a portes pagados, debidamente embalados. En el caso de una reparación efectuada en la empresa, la garantía será de 6 meses, tan solo de los materiales que se hubieran substituido en el momento de la misma, no aplicándose a materiales no substituidos en la primera reparación. Se aplicará el mismo sistema de no cubrir ningún tipo de gasto adicional externo que se pudiera producir.
10. Si la etiqueta de identificación del compresor o la unidad condensadora ha desaparecido, automáticamente se considera fuera del período de garantía. Hacer siempre referencia al número de esta etiqueta para cualquier consulta.
11. Por el solo hecho de pasarnos sus pedidos, el cliente se somete expresamente a la jurisdicción de los jueces y Tribunales del domicilio social de la empresa suministradora, con renuncia expresa a su propio fuero.
12. INDUSTRIAL I COMERCIAL IMOV 17, S.L. se reserva el derecho de modificar sus productos sin previo aviso.

GENERAL SALES TERMS

1. The purchaser, by placing an order, accepts following GENERAL SALES TERMS.
2. Any condition included by the purchase in the which does not conform to our general sales terms shall be considered null and void, unless expressly accepted in writing.
3. Goods are understood to be collected from our warehouses or distribution centres, carriage charges are not included and we are not required to deliver them to the customer's premises; our responsibility for said goods ends as from the time at which they are placed at the forwarder's disposal. No complaints or liabilities will be accepted for improper transportation.
4. As a rule, packaging are included in the prices, unless expressly stated so in our rates.
5. In the event of goods which present manufacturing defects, complaint must be lodged within 6 days as from the date of collection and must in all cases be submitted in writing. Thereafter, no complaint by the purchase shall be deemed valid.
6. Payment for goods must be in advance. In case the customer is given credit, payment shall be settled on the agreed dates, without refusing first condition. The goods shall remain our property until total payment of same has been completed.
7. Unpaid drafts, on falling due, will be subject to bank charges in addition to 2.5% per month as from the date until settlement of outstanding amount.
8. Orders of less than 250€ will be on a cash basis, and when in exceptional cases credit is given, payment shall be made within the 30 days following delivery of the goods.
9. The manufacturer guarantees its products against any fault for maximum period of 12 months and undertakes to replace or repair same. Such guarantee does not cover any expense caused by the fault, such as labour, travel, loss of coolant, etc and said materials should be sent to our premises carriage paid and duly packed. 6 months guarantee for repairs in our plant, only for components replaced in that moment; guarantee will not apply for replaced components on previous repairs. Same system will apply for any external expense that NOVEMBER arise.
10. Removal of the warranty number label from a compressor or condensing unit automatically invalidates the warranty. Please quote this number on any correspondence.
11. The fact of placing an order means the customer expressly accepts the jurisdiction of the judges and Courts of the head office of the supplier, expressly waiving his jurisdiction.
12. INDUSTRIAL I COMERCIAL IMOV 17, S.L. reserves the right to alter its products without notice.

GELPHA[®]_{PARTS}

INDUSTRIAL I COMERCIAL IMOV 17, S.L.
Pol. Ind. Pont-Xetmar, Calle N, nº 16-18
C.P.: 17844 Cornellà del Terri (Girona) SPAIN
Tel. +(34)972 59 61 16
comercial@gelpha.com
www.gelpha.com



GEL
GELPHA

Gelphametic

INDUSTRIAL I COMERCIAL IMOV 17, S.L.

Pol. Ind. Pont-Xetmar, Calle N, nº 16-18

C.P.: 17844 Cornellà del Terri (Girona) SPAIN

Tel. +(34) 972 596 116

comercial@gelpha.com

www.gelpha.com